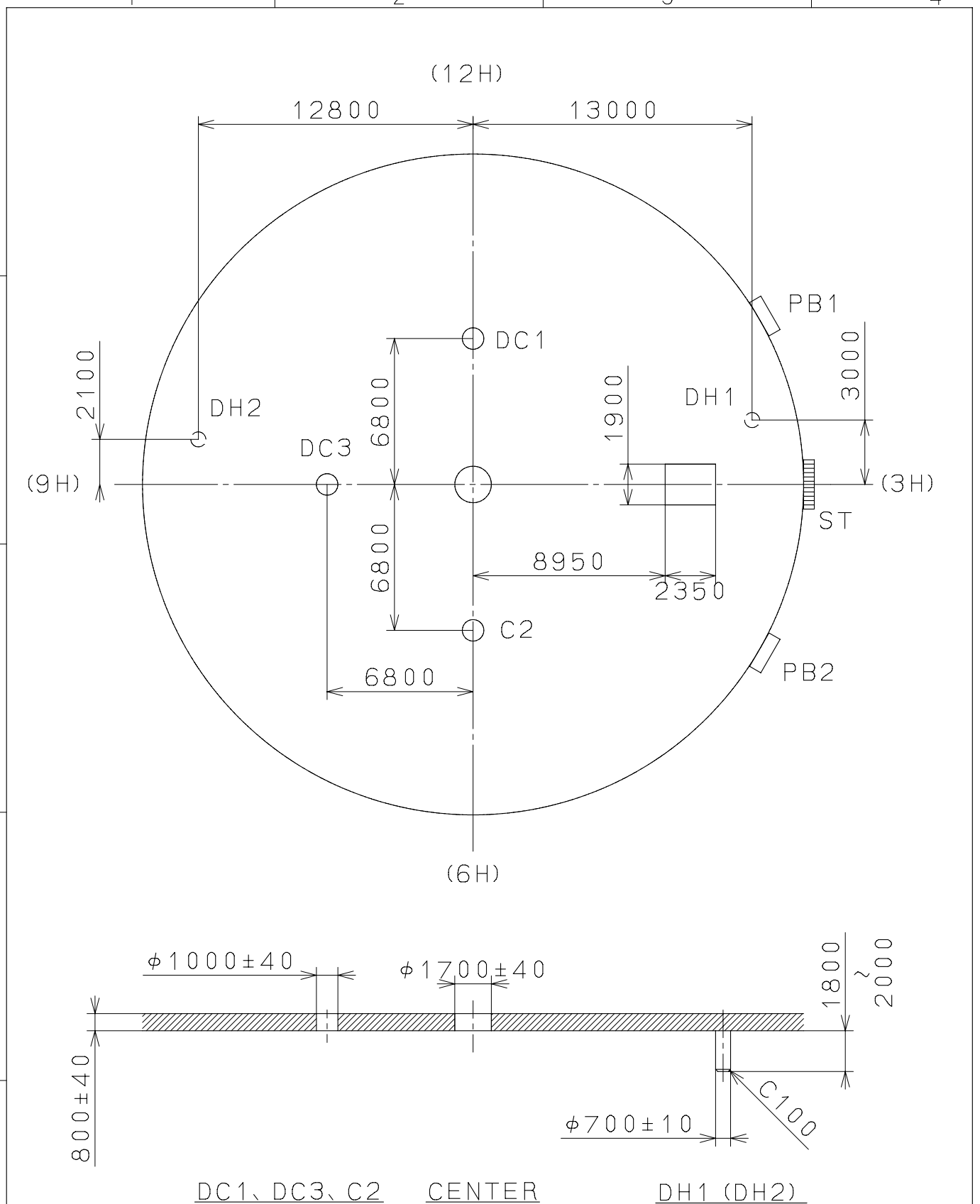




2008/02/27 (08:09:52)

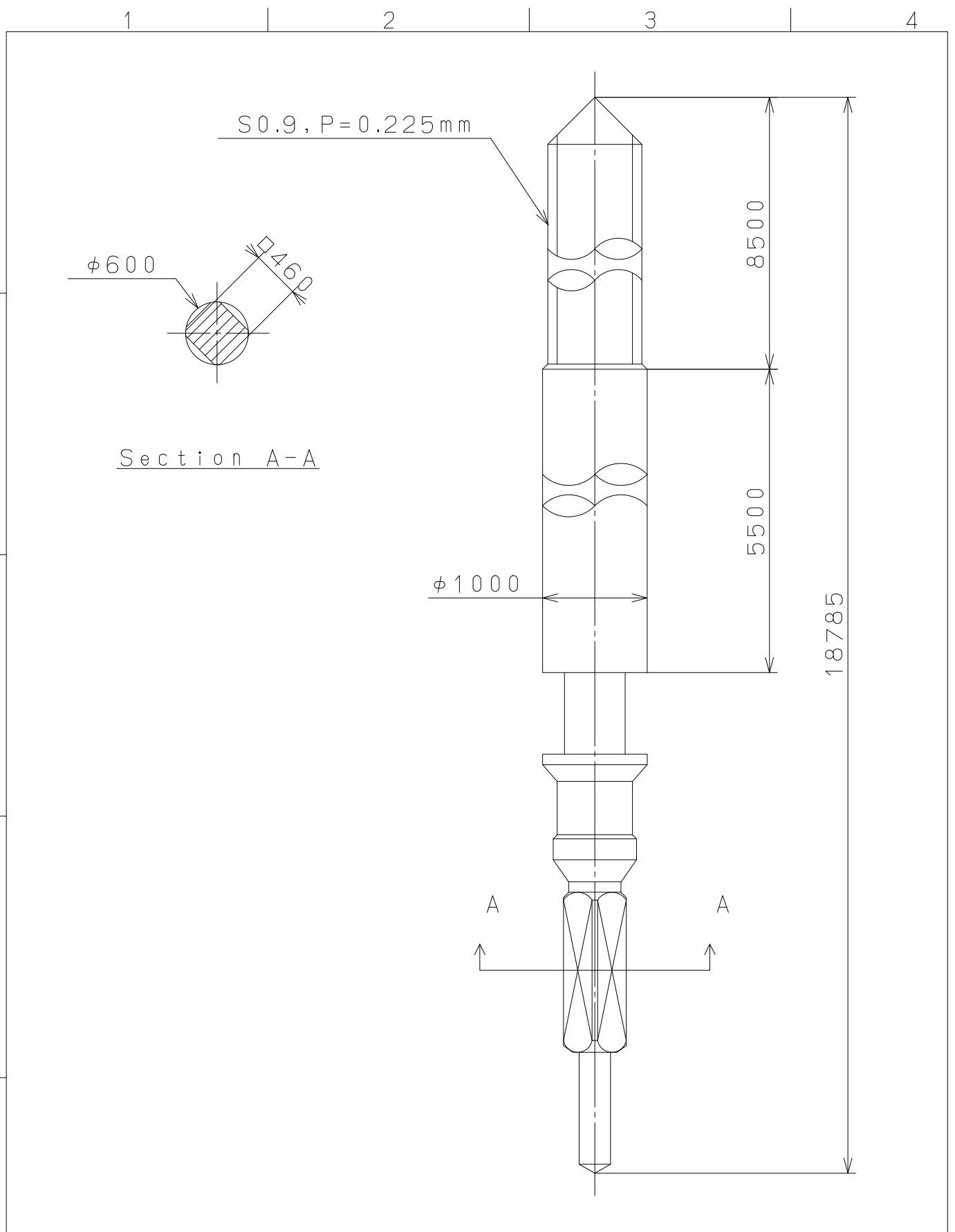
This drawing is provisional and subject to our reconfirmation and/or revision without notice.



DC1, DC3, C2      CENTER      DH1 (DH2)

△			Quantity		Cal.NO.:
△			Unit	1 / 1000 mm	OS1A-00A
△			Scale	4 : 1	Parts No.:
△			Date		
△			Drawn		
Mark	Date	Description	Appr.	Checked	Name:
		Alterations		Approved	Indications for Dial
Material					Drawing No.: OS1AD000
Heat Treatment			General Tolerances		<b>MIYOTA</b>
Hardness			Dimensions		
Plating			Angles		
					CITIZEN WATCH CO., LTD. TOKYO, JAPAN

This drawing is provisional and subject to our reconfirmation and/or revision without notice.



△5			Quantity		Cal.NO.:
△4			Unit	1 / 1000 mm	
△3			Scale	20 : 1	Parts No.:
△2			Date		065-453
△1			Drawn		
Mark	Date	Description	Appr.	Checked	E. Murakami
Alterations			Approved	Name:	
			SETTING STEM		
Material					Drawing No.: 4530S000
Heat Treatment					<b>MIYOTA</b>
Hardness					
Plating					
			General Tolerances	CITIZEN WATCH CO., LTD. TOKYO, JAPAN	
			Dimensions		
			Angles		