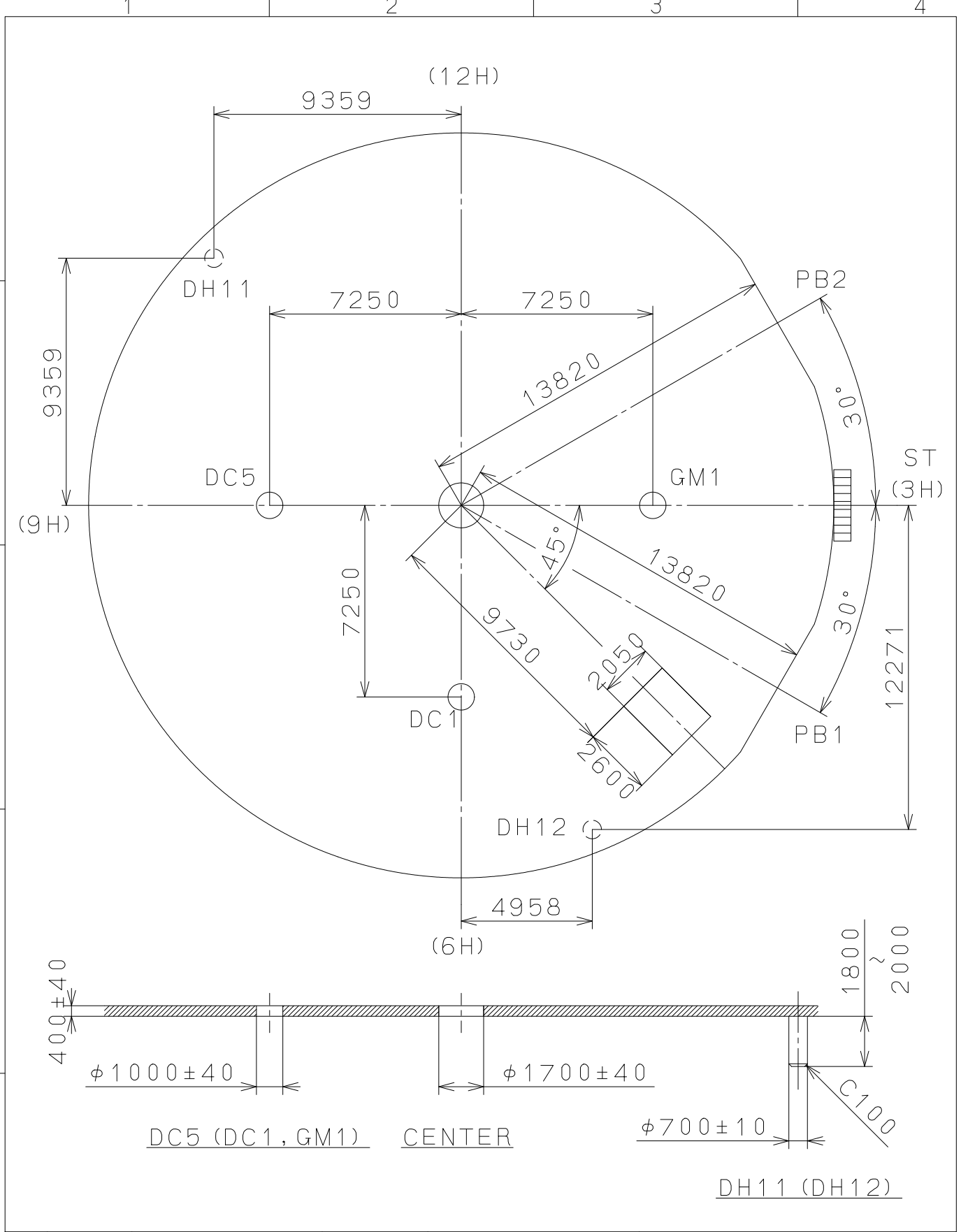


2009/01/26 (10:02:32)

This drawing is provisional and subject to our reconfirmation and/or revision without notice.

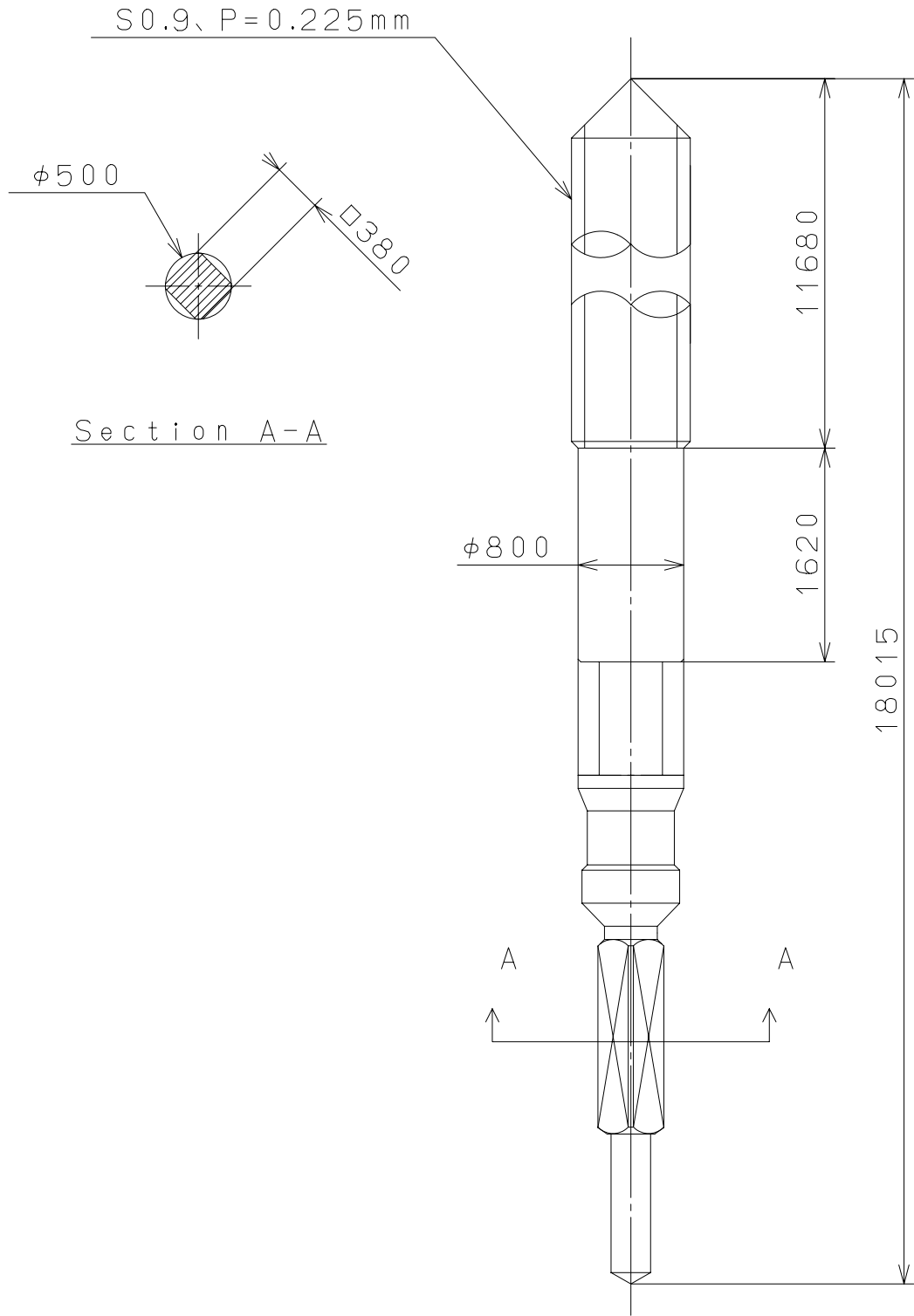


△			Quantity		Cal.NO.:
△			Unit	1/1000 _{mm}	JS25-00C
△			Scale	5:1	Parts No.:
△			Date		
△			Drawn		
Mark	Date	Description	Appr.	Checked	Name:
		Alterations	Approved	N. Suzuki	
Material					Indications for Dial
Heat Treatment					Drawing No.: JS25D000
Hardness			General Tolerances		MIYOTA
Plating			Dimensions		
			Angles		CITIZEN WATCH CO., LTD. TOKYO, JAPAN

2006/12/25 (07:50:10)

This drawing is provisional and subject to our reconfirmation and/or revision without notice.

A
B
C
D
E
F



△5			Quantity		Cal.NO.:
△4			Unit	1 / 1000 mm	
△3			Scale	20 / 1	Parts No.:
△2			Date		065-505
△1			Drawn		Name:
Mark	Date	Description	Appr.	Checked	T.Hiruta
Alterations			Approved	SETTING STEM	
Material				Drawing No.: 5050S000	
Heat Treatment				MIYOTA CITIZEN WATCH CO., LTD. TOKYO, JAPAN	
Hardness					
Plating					