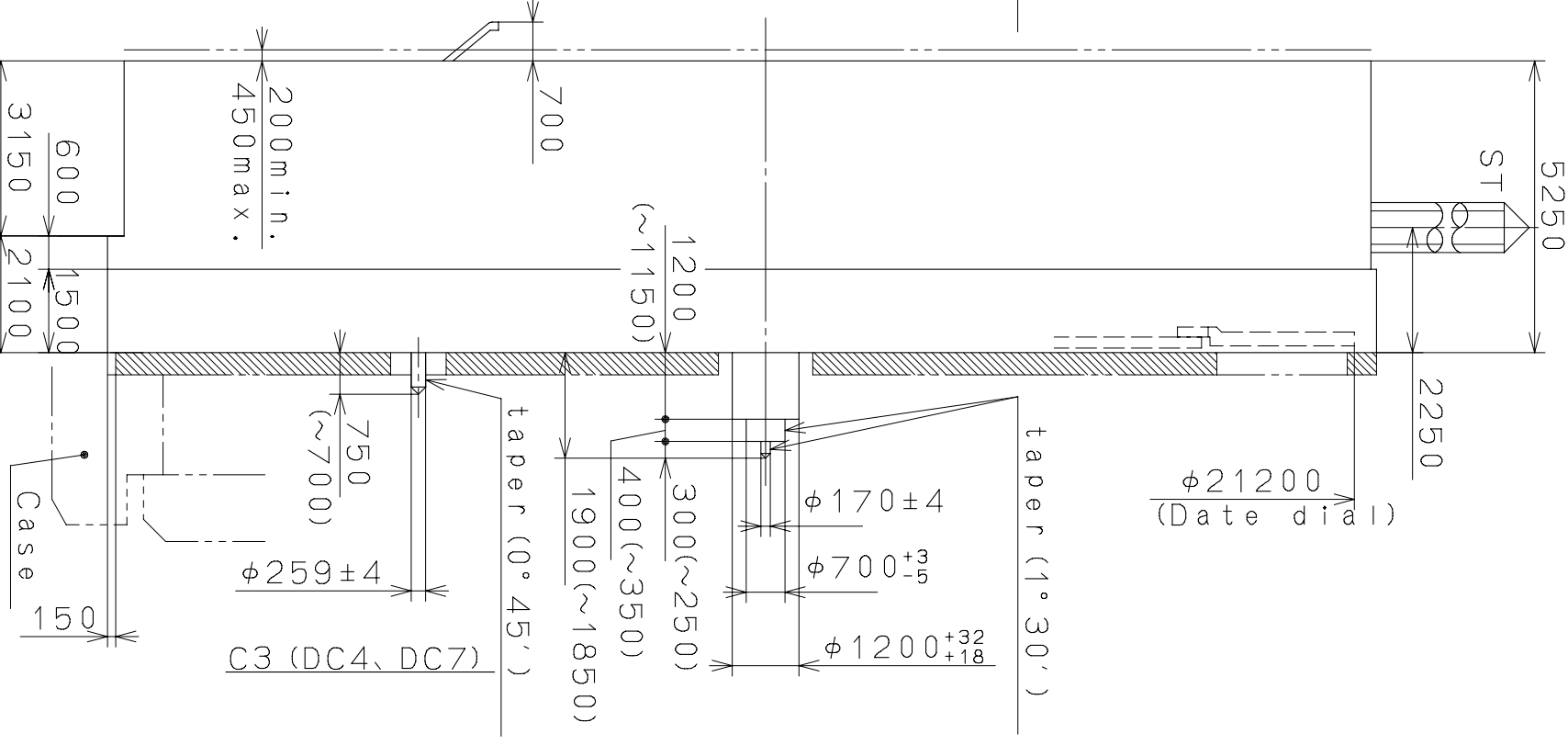
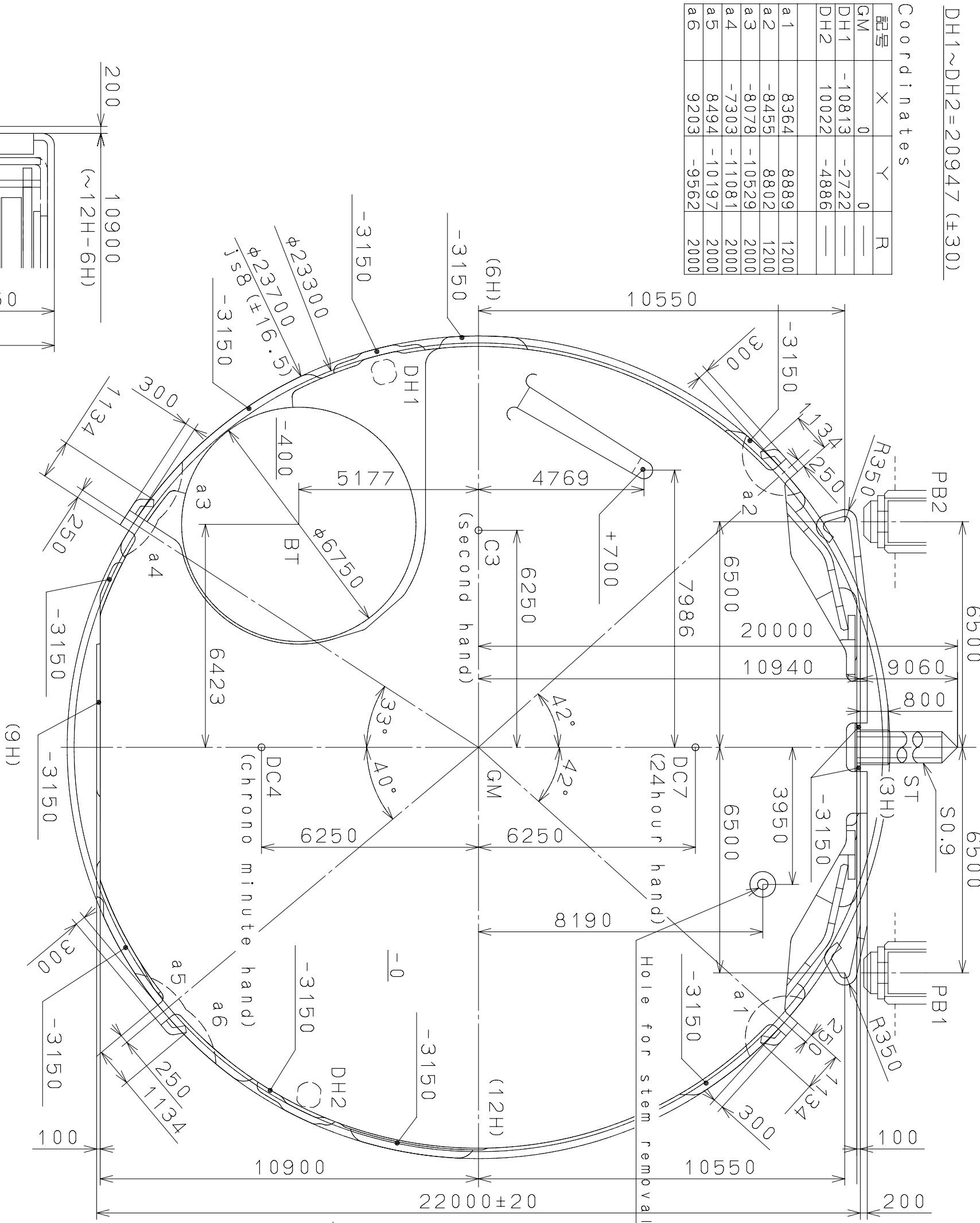


DH1~DH2=20947 (±30)

Coordinates

| 記号  | X      | Y      | R    |
|-----|--------|--------|------|
| GM  | 0      | 0      | —    |
| DH1 | -10813 | -2722  | —    |
| DH2 | 10022  | -4886  | —    |
| a1  | 8364   | 8889   | 1200 |
| a2  | -8455  | 8802   | 1200 |
| a3  | -8078  | -10529 | 2000 |
| a4  | -7303  | -11081 | 2000 |
| a5  | 8494   | -10197 | 2000 |
| a6  | 9203   | -9562  | 2000 |

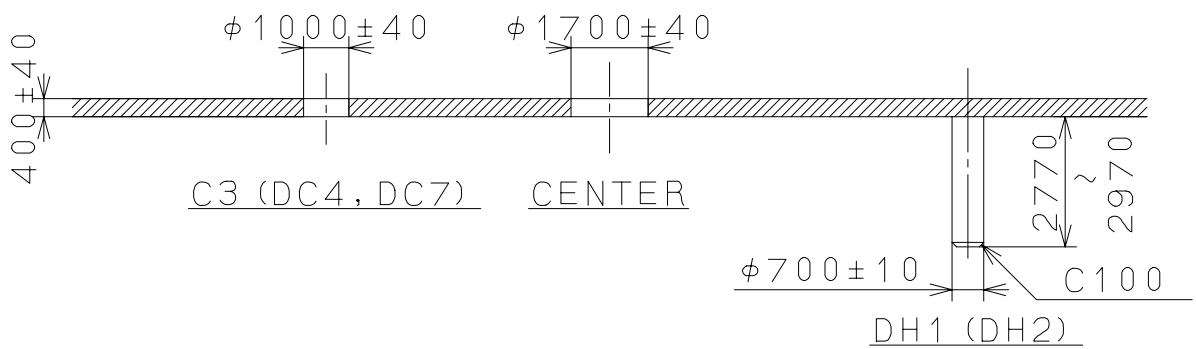
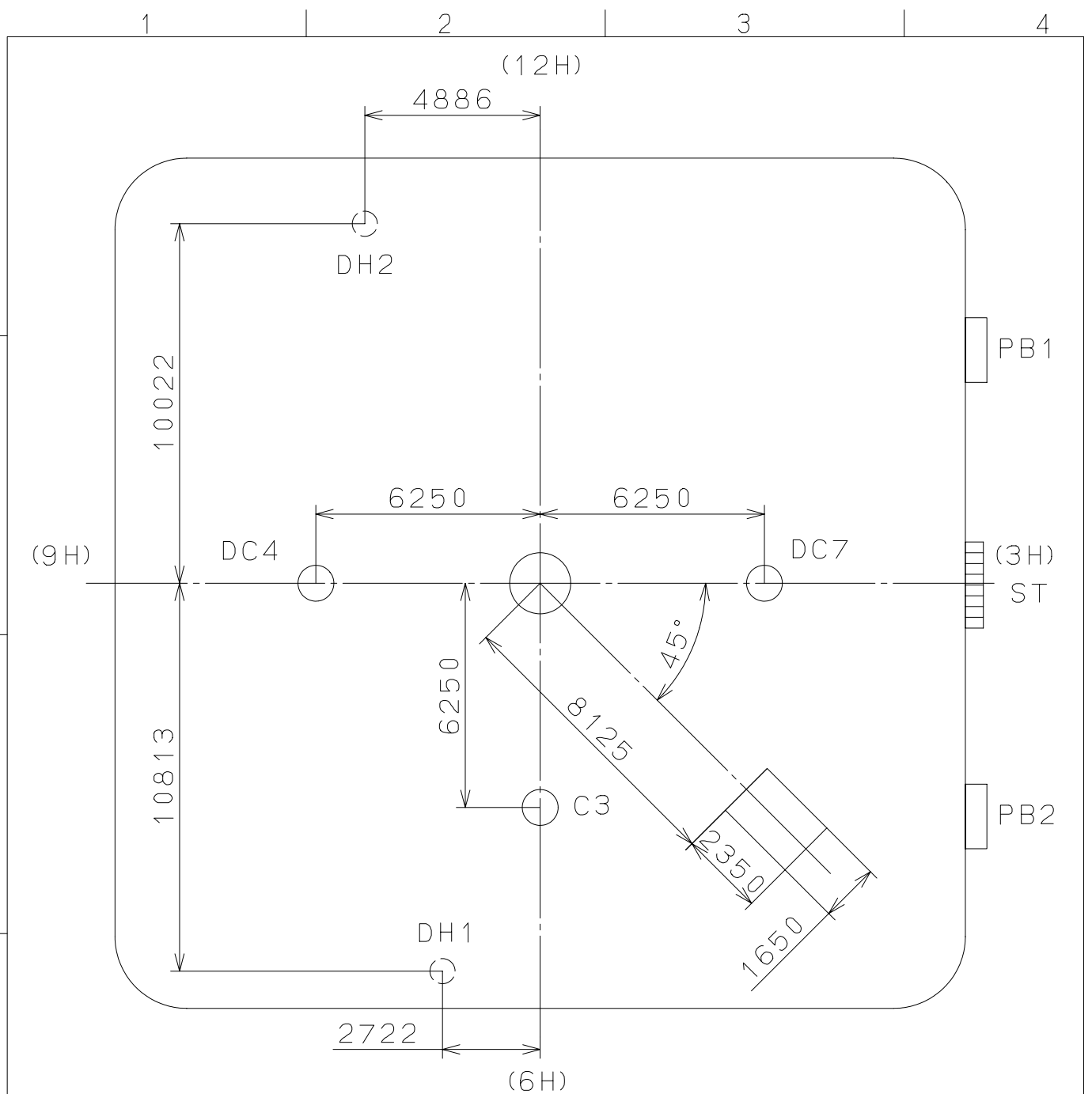


| Mark           | Date              | Description | Appr. | Checked | Drawn |
|----------------|-------------------|-------------|-------|---------|-------|
| Alterations    |                   |             |       |         |       |
| Material       |                   |             |       |         |       |
| Heat Treatment |                   |             |       |         |       |
| Hardness       |                   |             |       |         |       |
| Plating        |                   |             |       |         |       |
| Quantity       | Unit              | 1 / 1000 mm |       |         |       |
| Scale          | 8 : 1             |             |       |         |       |
| Date           |                   |             |       |         |       |
| Drawn          |                   |             |       |         |       |
| Checked        |                   |             |       |         |       |
| Appr.          |                   |             |       |         |       |
| Name:          | F. Flame for Case |             |       |         |       |
| Drawing No.:   | FS21C000          |             |       |         |       |
| Cal. NO.:      | FS21              |             |       |         |       |
| Parts No.:     |                   |             |       |         |       |

**MIYOTA**  
CITIZEN WATCH CO., LTD. TOKYO, JAPAN

2005/08/23 (09:43:05)

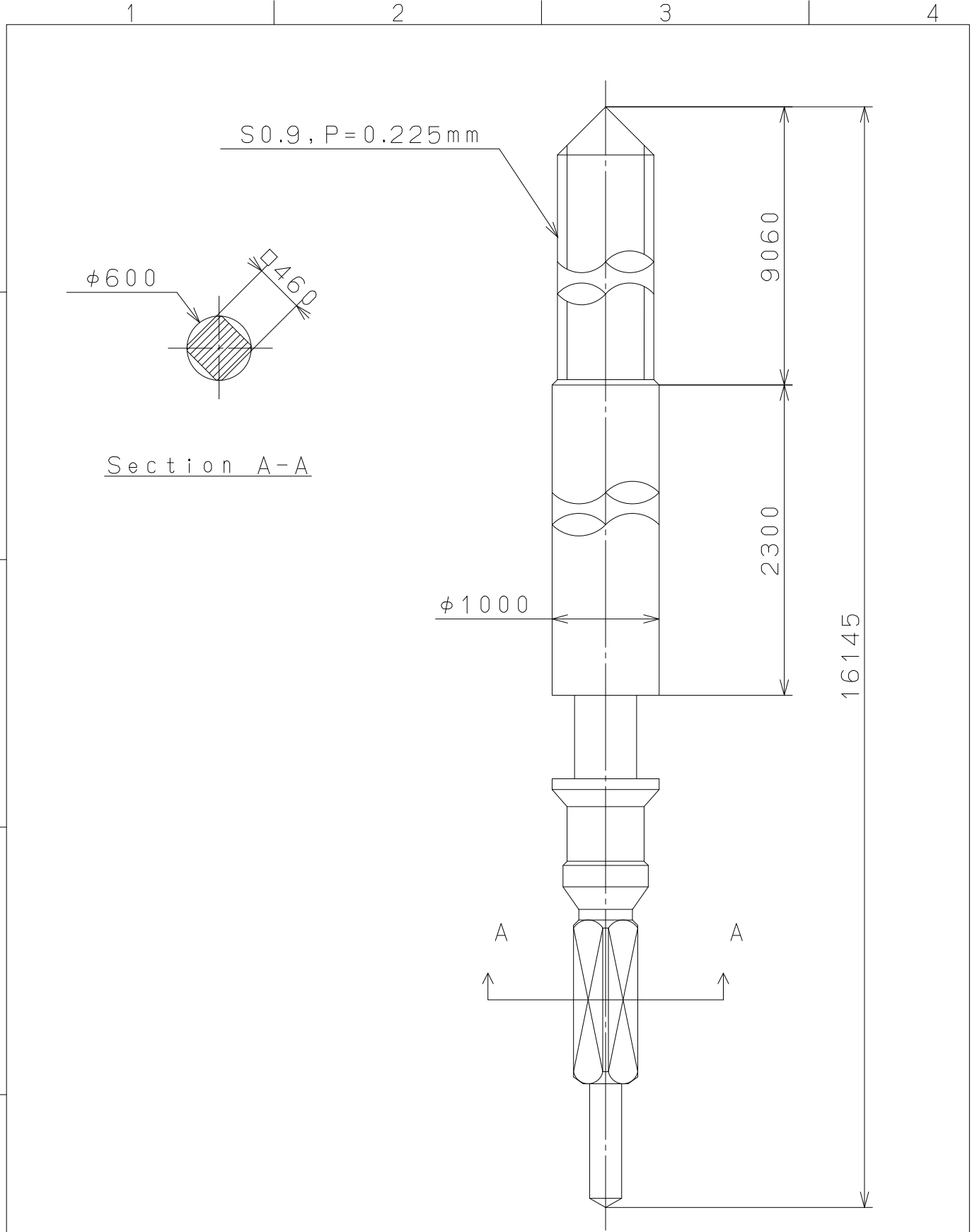
This drawing is provisional and subject to our reconfirmation and/or revision without notice.



|                |      |             |          |             |                      |                      |
|----------------|------|-------------|----------|-------------|----------------------|----------------------|
| △              |      |             | Quantity |             |                      | Cal.NO.:FS21-00A     |
| △              |      |             | Unit     | 1 / 1000 mm |                      |                      |
| △              |      |             | Scale    | 6 / 1       |                      | Parts No.:           |
| △              |      |             |          | Date        | Name                 |                      |
| △              |      |             | Drawn    |             |                      |                      |
| Mark           | Date | Description | Appr.    | Checked     | M.Fukuda             | Name:                |
| Alterations    |      |             | Approved |             |                      | Indications for Dial |
| Material       |      |             |          |             | Drawing No.:FS21D000 |                      |
| Heat Treatment |      |             |          |             | General Tolerances   |                      |
| Hardness       |      |             |          |             | Dimensions           |                      |
| Plating        |      |             |          |             | Angles               |                      |

**MIYOTA**  
CITIZEN WATCH CO., LTD.

This drawing is provisional and subject to our reconfirmation and/or revision without notice.



|                |      |             |          |                      |                                      |
|----------------|------|-------------|----------|----------------------|--------------------------------------|
| △              |      |             | Quantity |                      | Cal.NO.:                             |
| △              |      |             | Unit     | 1 / 1000 mm          |                                      |
| △              |      |             | Scale    | 20 : 1               | Parts No.:                           |
| △              |      |             | Date     |                      | 065-549                              |
| △              |      |             | Drawn    |                      |                                      |
| Mark           | Date | Description | Appro.   | Checked M. Kobayashi | Name:                                |
| Alterations    |      |             | Approved |                      | SETTING STEM                         |
| Material       |      |             |          |                      | Drawing No.: 5490S000                |
| Heat Treatment |      |             |          |                      | <b>MIYOTA</b>                        |
| Hardness       |      |             |          |                      |                                      |
| Plating        |      |             |          |                      |                                      |
|                |      |             |          |                      | CITIZEN WATCH CO., LTD. TOKYO, JAPAN |