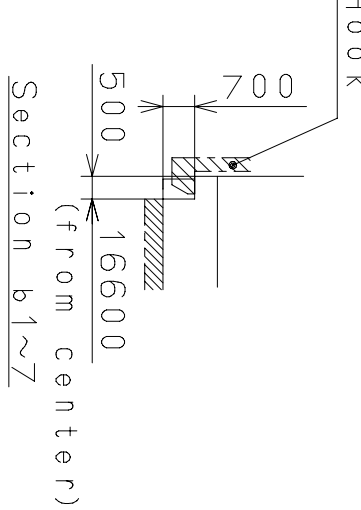
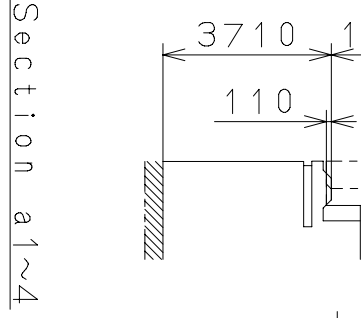
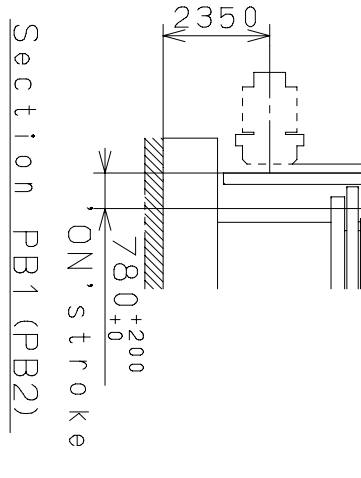
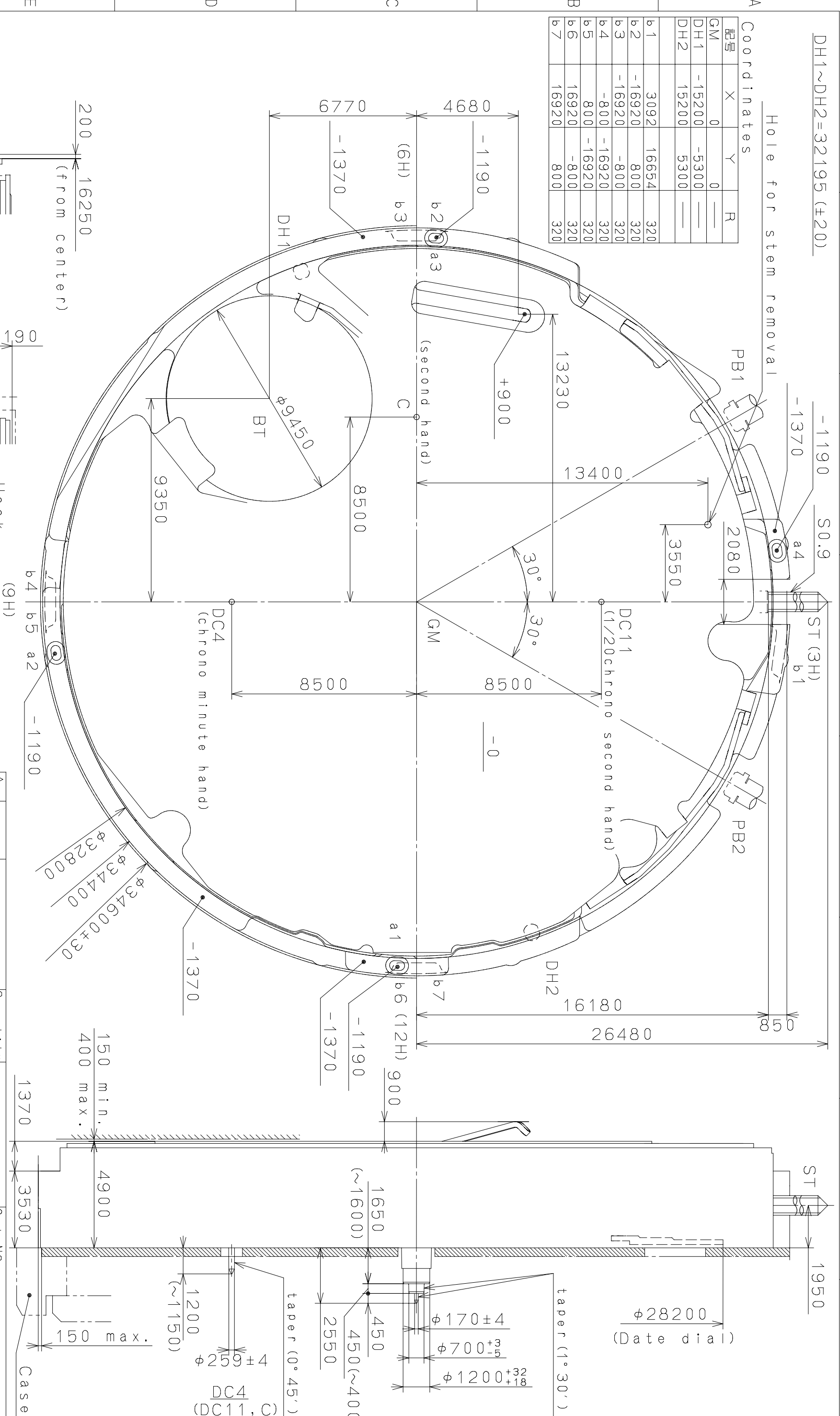


Coordinates			
記号	X	Y	R
GM	0	0	—
DH1	-15200	-5300	—
DH2	15200	5300	—
b1	3092	16654	320
b2	-16920	800	320
b3	-16920	-800	320
b4	-800	-16920	320
b5	800	-16920	320
b6	16920	-800	320
b7	16920	800	320

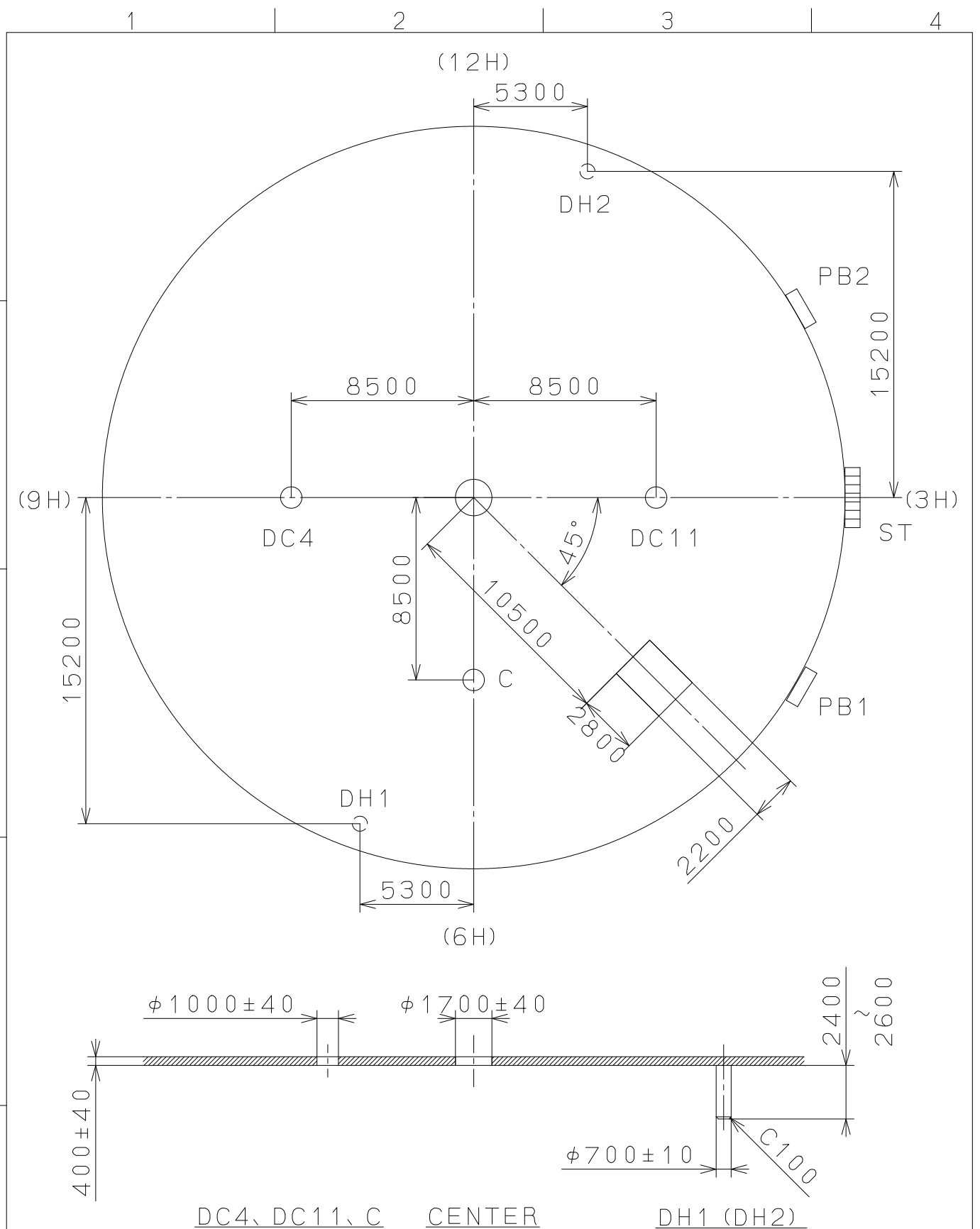


Mark	Date	Description	Appro.	Checked	Drawn	Name
△		Alterations	Approved			N. Suzuki
△		Material				Frame for Case
△		Heat Treatment				Drawing No.: 6S20C001
△		Hardness				
△		Plating				

Quantity: 1 / 1000 mm
 Unit: 6 : 1
 Scale: 6 : 1
 Date:
 Drawn:
 Checked:
 Approved:
 Name:
 Frame for Case
 Drawing No.: 6S20C001
MIYOTA
 CITIZEN WATCH CO., LTD. TOKYO, JAPAN

2010/05/24 (09:03:47)

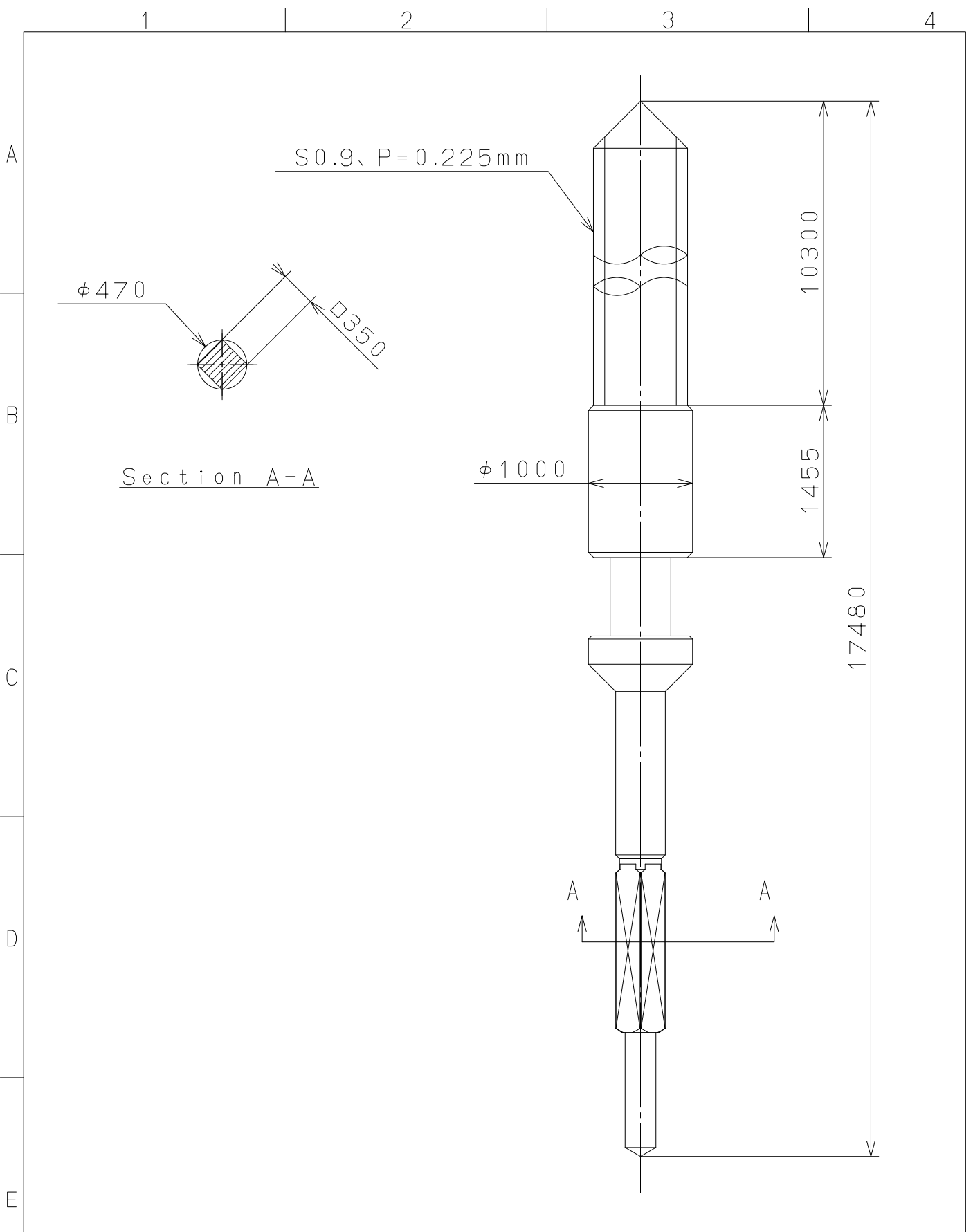
This drawing is provisional and subject to our reconfirmation and/or revision without notice.



△			Quantity		Cal.NO.:
△			Unit	1/1000 _{mm}	6S20-00A
△			Scale	4:1	Parts No.:
△			Date		
△			Drawn		
Mark	Date	Description	Appr.	Checked	Name:
		Alterations	Approved	N. Suzuki	Indications for Dial
Material					Drawing No.: 6S20D000
Heat Treatment			General Tolerances		
Hardness			Dimensions		
Plating			Angles		
				CITIZEN WATCH CO., LTD. TOKYO, JAPAN	

2010/07/26 (09:03:08)

This drawing is provisional and subject to our reconfirmation and/or revision without notice.



△5			Quantity		Cal.NO.:
△4			Unit	1/1000mm	
△3			Scale	20:1	Parts No.:
△2			Date		065-A13
△1			Drawn		
Mark	Date	Description	Appr.	Checked	Name:
		Alterations	Approved	N. Suzuki	SETTING STEM
Material					Drawing No.: A130S000
Heat Treatment			General Tolerances	MIYOTA CITIZEN WATCH CO., LTD. TOKYO, JAPAN	
Hardness			Dimensions		
Plating			Angles		