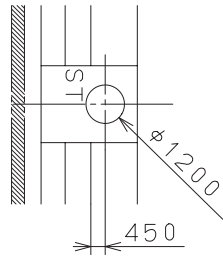
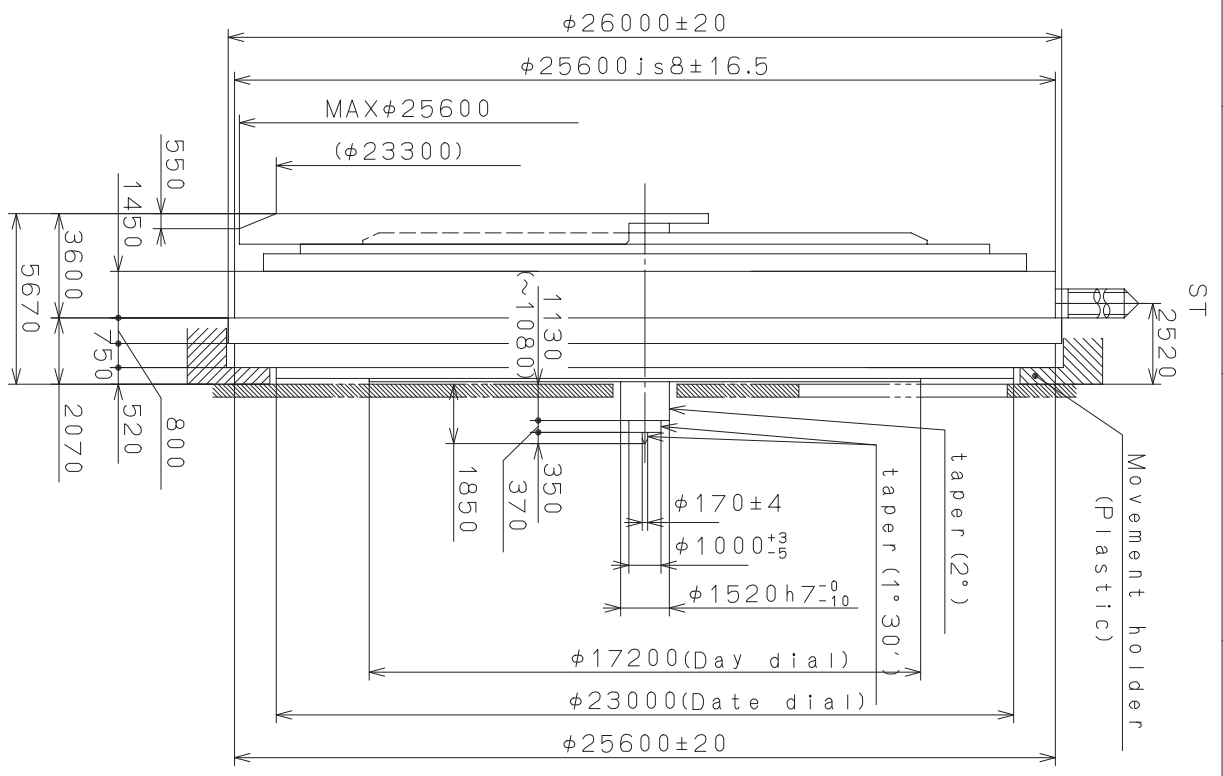


Section CS1,CS2



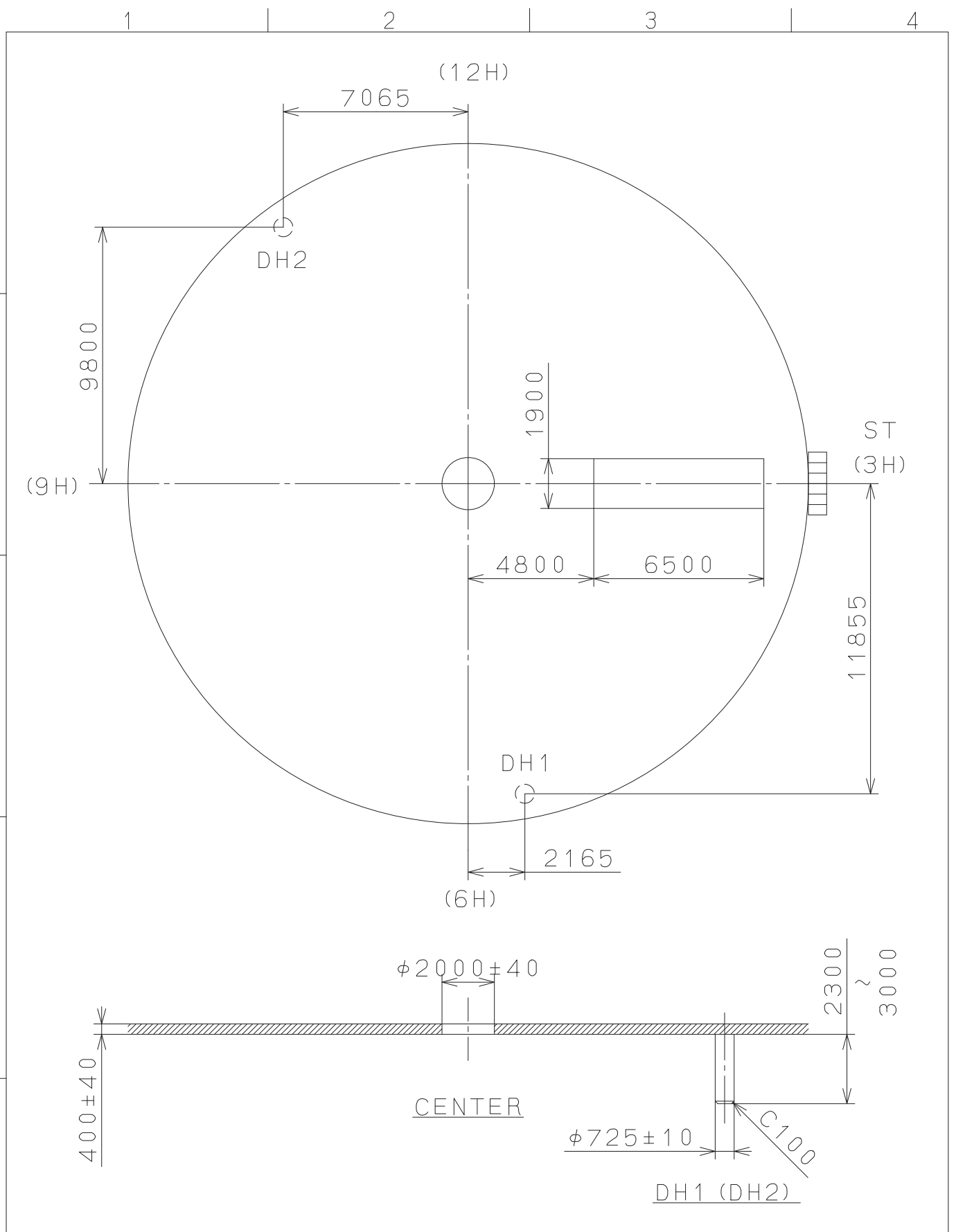
Section A-A



△	Quantity	Cal. NO.:
△	Unit	8205
△	Scale	Parts No.:
△	Date	
△	Drawn	
△	Checked	
△	Appr.	
Material	Description	Name:
Alterations	Approved	Frame for Case
Material	General Tolerances	Drawing No.: 8205C012
Heat Treatment	Dimensions	
Hardness	Angles	
Plating		

**MIYOTA**  
CITIZEN WATCH CO., LTD. TOKYO, JAPAN

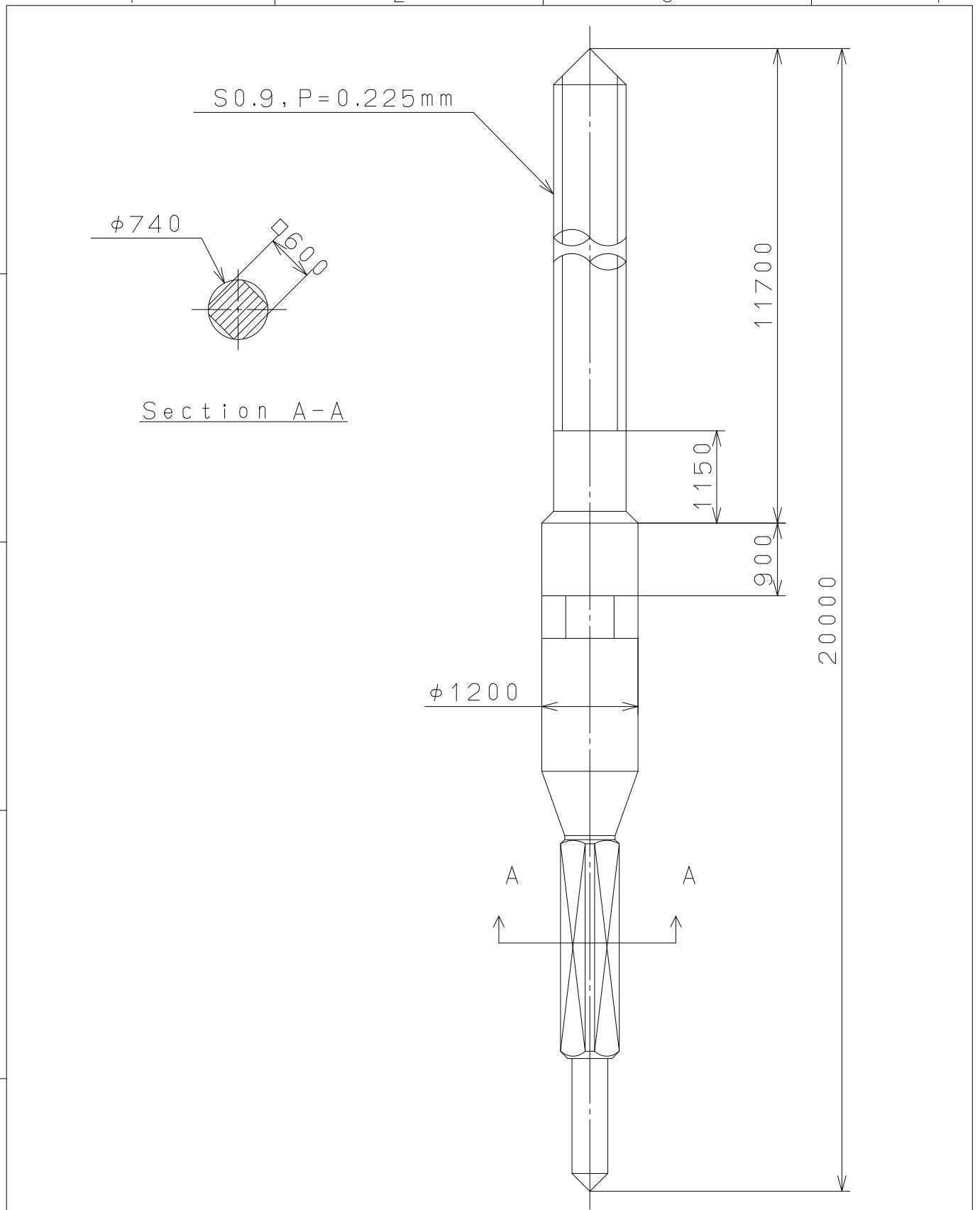
This drawing is provisional and subject to our reconfirmation and/or revision without notice.



△			Quantity		Cal. NO.:	<b>8205-AEB</b>
△			Unit	1 / 1000 mm		
△			Scale	5 : 1	Parts No.:	
△			Date			
△			Drawn			
Mark	Date	Description	Appr.	Checked	E. Murakami	Name:
Alterations			Approved			Indications for Dial
Material						Drawing No.: 820AD000
Heat Treatment						<b>MIYOTA</b>
Hardness						
Plating						
General Tolerances						CITIZEN WATCH CO., LTD. TOKYO, JAPAN
Dimensions						
Angles						

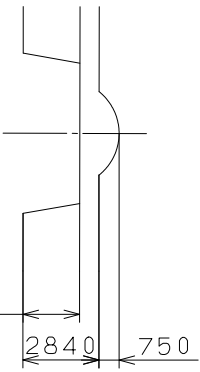
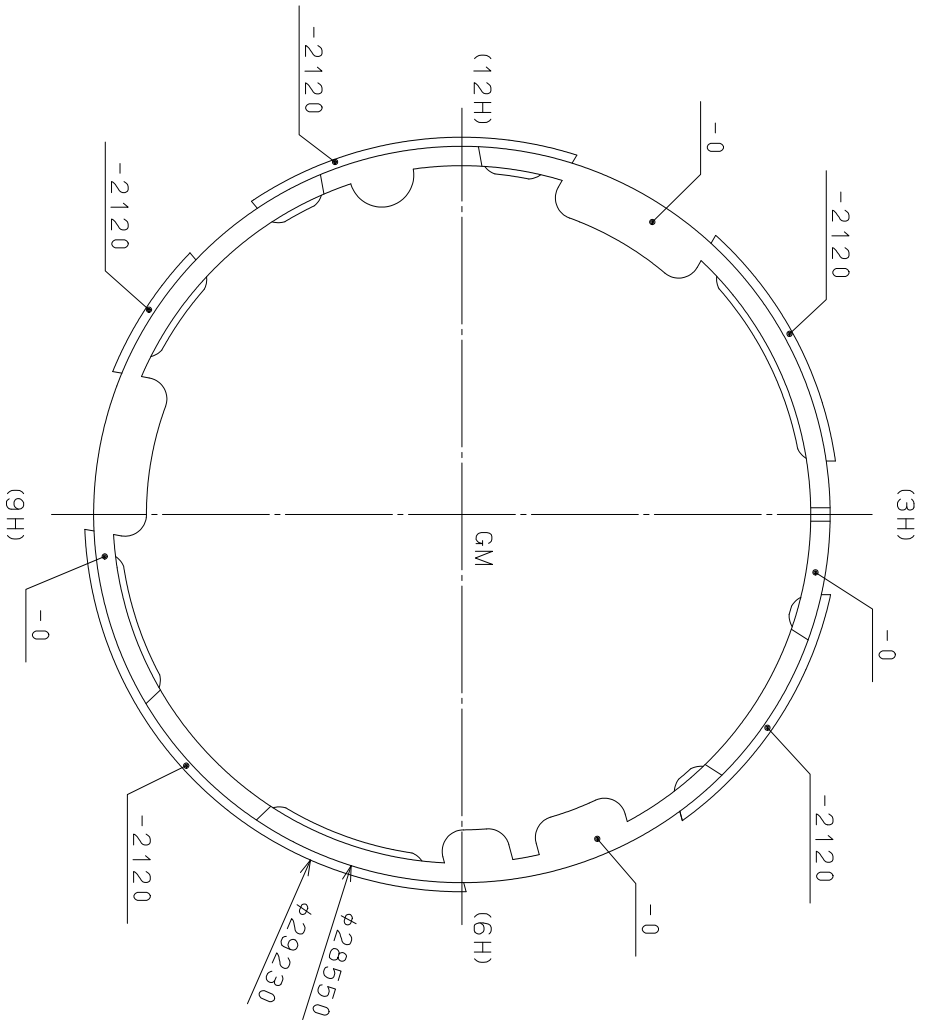
2008/11/14 (11:30:42)

This drawing is provisional and subject to our reconfirmation and/or revision without notice.

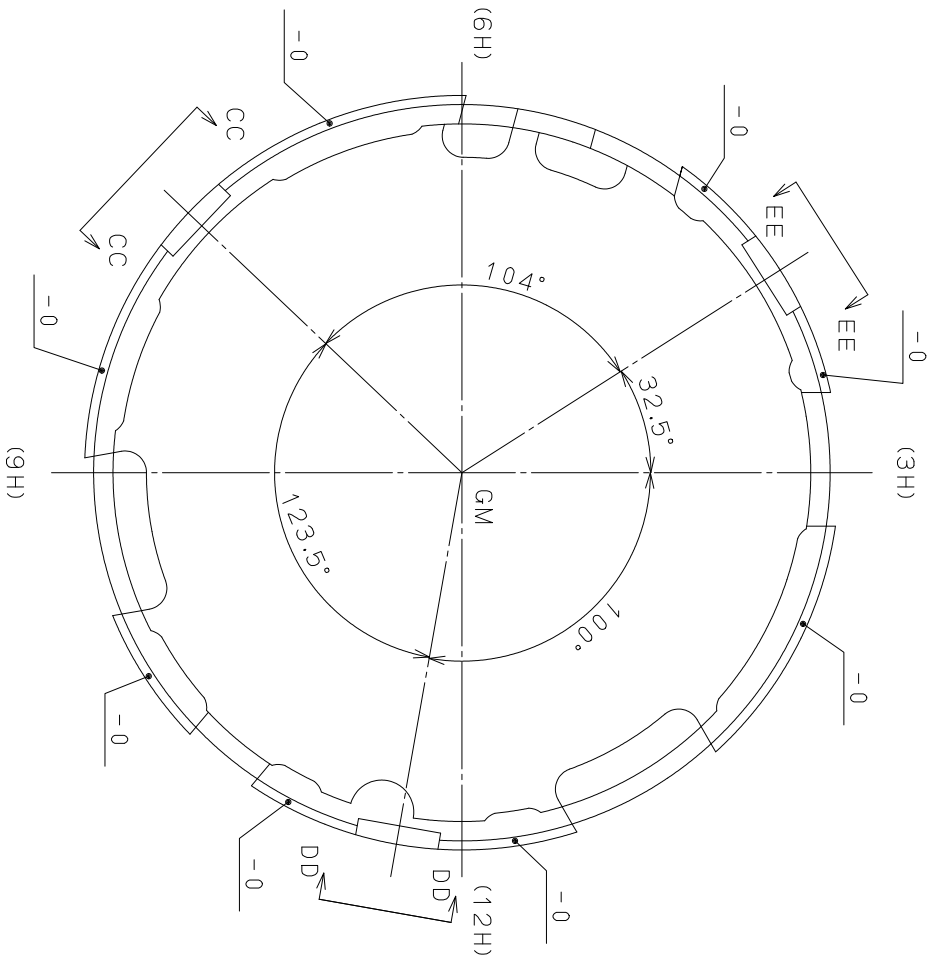


△			Quantity		Cal.NO.:
△			Unit	1/1000mm	
△			Scale	15:1	Parts No.:
△			Date		065-212
△			Drawn		
Mark	Date	Description	Appr.	Checked	Name:
		Alterations	Approved	N. Suzuki	SETTING STEM
Material					Drawing No.: 2120S001
Heat Treatment			General Tolerances	<b>MIYOTA</b> CITIZEN WATCH CO., LTD. TOKYO, JAPAN	
Hardness			Dimensions		
Plating			Angles		

This drawing is provisional and subject to our reconfirmation and/or revision without notice.



View CC-CC  
DD-DD, EE-EE



△	Quantity	1/1000 mm	Call. NO.:
△	Unit	5 : 1	Parts No.:
△	Scale	Drawn	500-710
△	Date	Checked	Name:
△	Mark	Approved	N. Suzuki
△	Date	Approved	Casing Holder
△	Material	Alterations	Drawing No.: 8200E003
△	Heat Treatment	General Tolerances	<b>MIYOTA</b>
△	Hardness	Dimensions	
△	Plating	Angles	
			CITIZEN WATCH CO., LTD. TOKYO, JAPAN