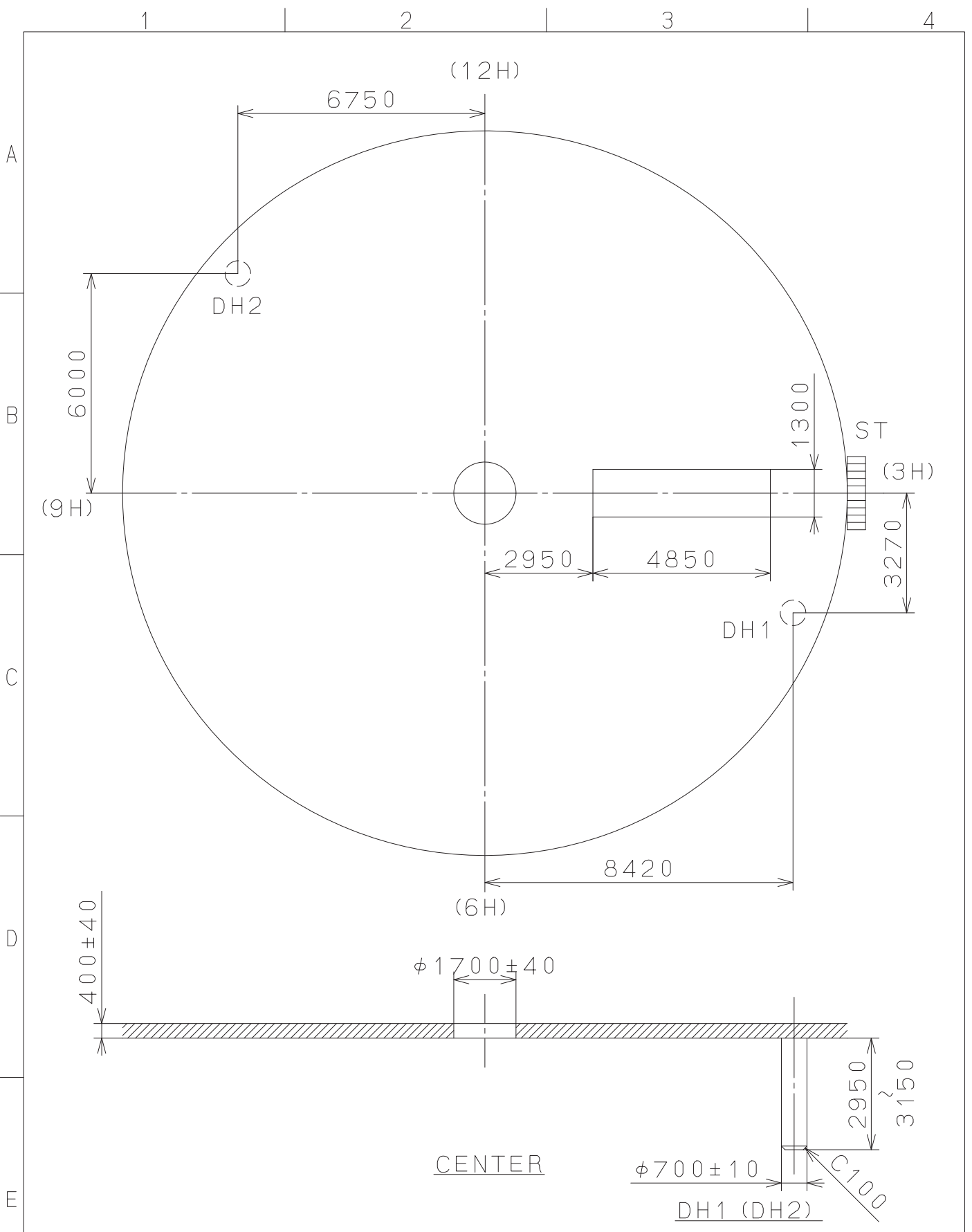


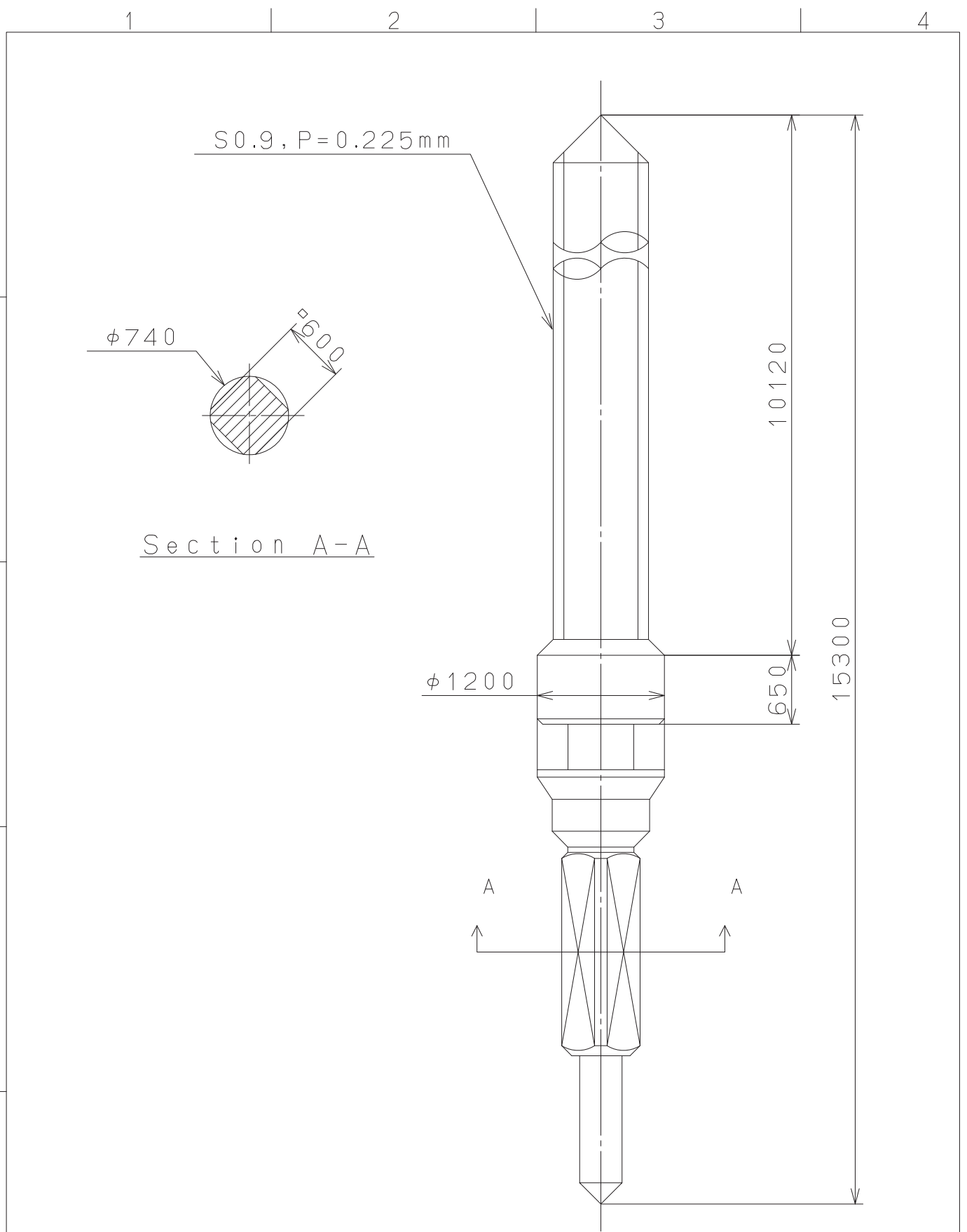
2008/09/02 (17:51:56)

This drawing is provisional and subject to our reconfirmation and/or revision without notice.



| | | | | | |
|----------------|------|-------------|--------------------|---|-----------------------|
| △5 | | | Quantity | | Cal.NO.: |
| △4 | | | Unit | 1 / 1000 mm | 6T51-AAQ |
| △3 | | | Scale | 7 : 1 | Parts No.: |
| △2 | | | Date | | |
| △1 | | | Drawn | | |
| Mark | Date | Description | Appr. | Checked | Name: |
| | | Alterations | Approved | N. Suzuki | Indications for Dial |
| Material | | | | | Drawing No.: 6T51D001 |
| Heat Treatment | | | General Tolerances | MIYOTA CITIZEN WATCH CO., LTD. TOKYO, JAPAN | |
| Hardness | | | Dimensions | | |
| Plating | | | Angles | | |

This drawing is provisional and subject to our reconfirmation and/or revision without notice.



| | | | | | |
|----------------|------|-------------|----------|--------------------|--------------------------------------|
| ⑤ | | | Quantity | | Cal.NO.: |
| ④ | | | Unit | 1 / 1000 mm | |
| ③ | | | Scale | 20 : 1 | Parts No.: |
| ② | | | Date | | 065-117 |
| ① | | | Drawn | | |
| Mark | Date | Description | Appro. | Checked | Name: |
| | | Alterations | | Approved | SETTING STEM |
| Material | | | | | Drawing No.: 1170S000 |
| Heat Treatment | | | | General Tolerances | MIYOTA |
| Hardness | | | | Dimensions | |
| Plating | | | | Angles | |
| | | | | | CITIZEN WATCH CO., LTD. TOKYO, JAPAN |

