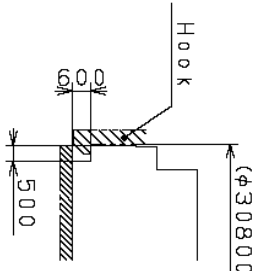
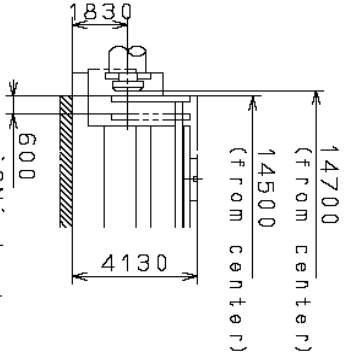
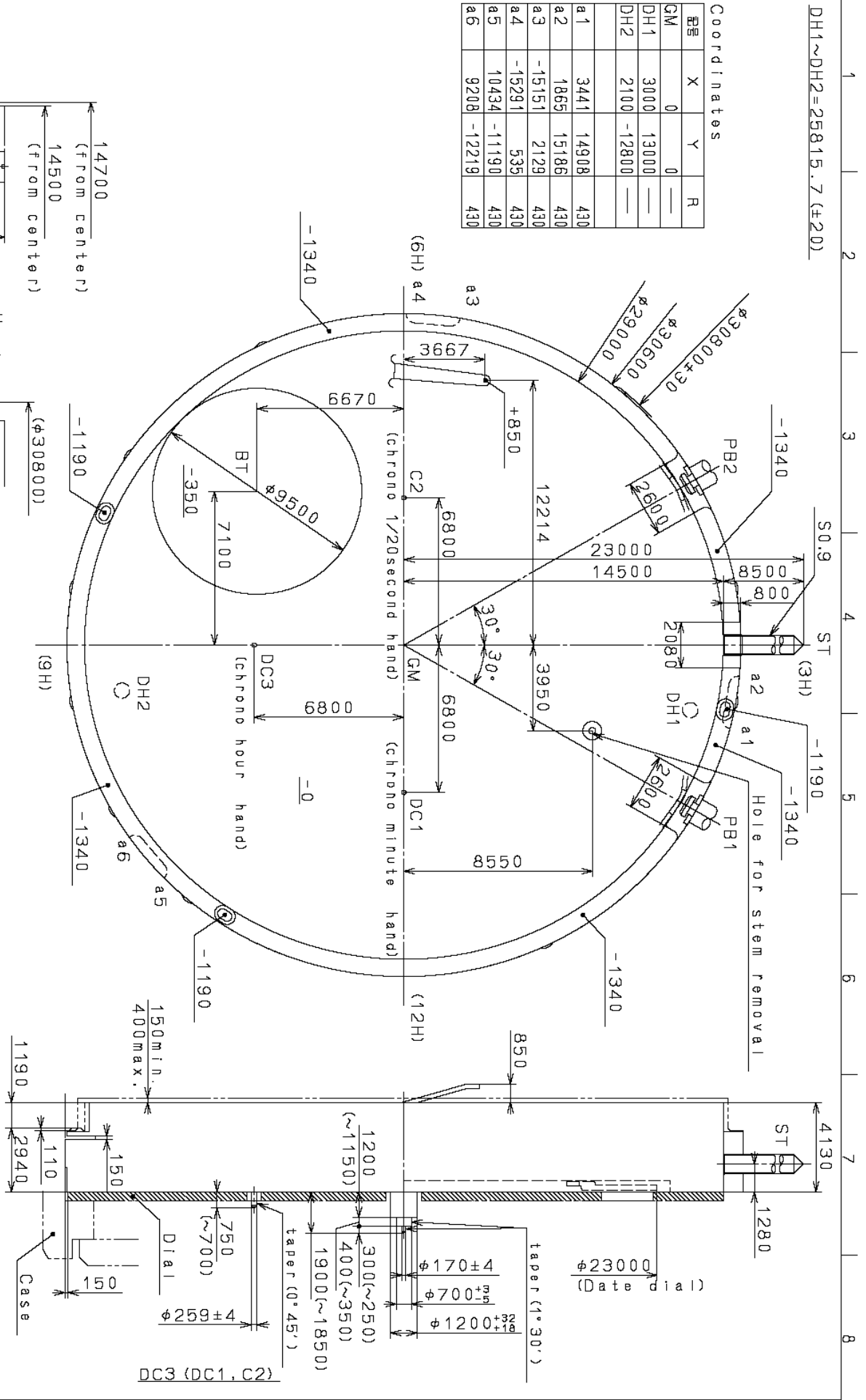


This drawing is provisional and subject to our reconfirmation and/or revision without notice.

Coordinates			
器具	X	Y	R
GM	0	0	—
DH1	3000	13000	—
DH2	2100	-12800	—
a1	3441	14908	430
a2	1865	15186	430
a3	-15151	2129	430
a4	-15291	535	430
a5	10434	-11190	430
a6	9208	-12219	430



△	Quantity	1/1000mm	Cal. NO.:	OS62
△	Unit		Parts No.:	
△	Scale		Name:	Frame for Case
△	Date		Drawing No.:	0562C0AS
△	Drawn			
△	Checked	M. Fukuda		
△	Approved			
△	Alterations			
△	Material			
△	Heat Treatment			
△	Hardness			
△	Plating			
	General Tolerances			
	Dimensions			
	Angles			

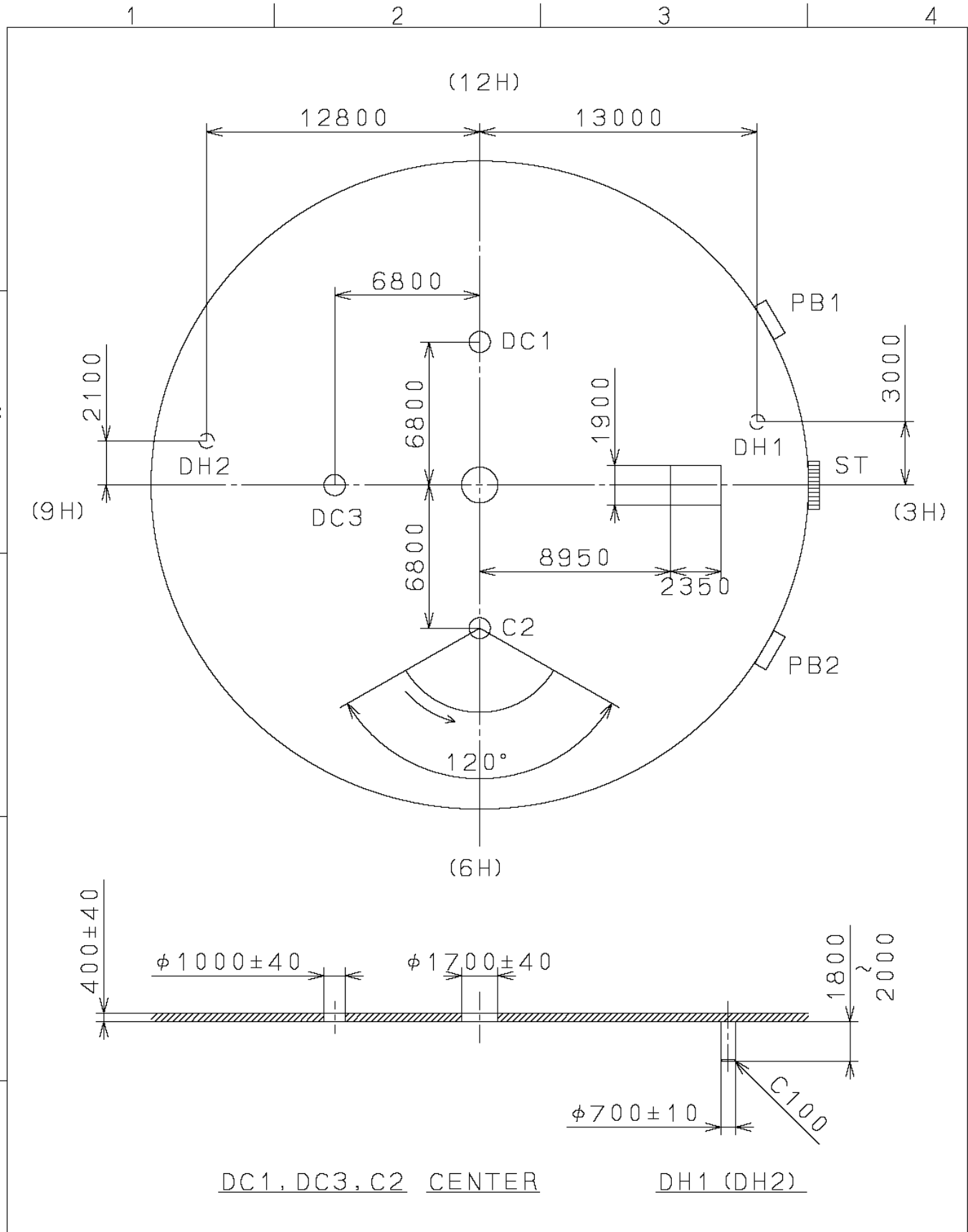
Section PB1.2

Section a1~a6

MIYOTA
CITIZEN WATCH CO., LTD. TOKYO, JAPAN

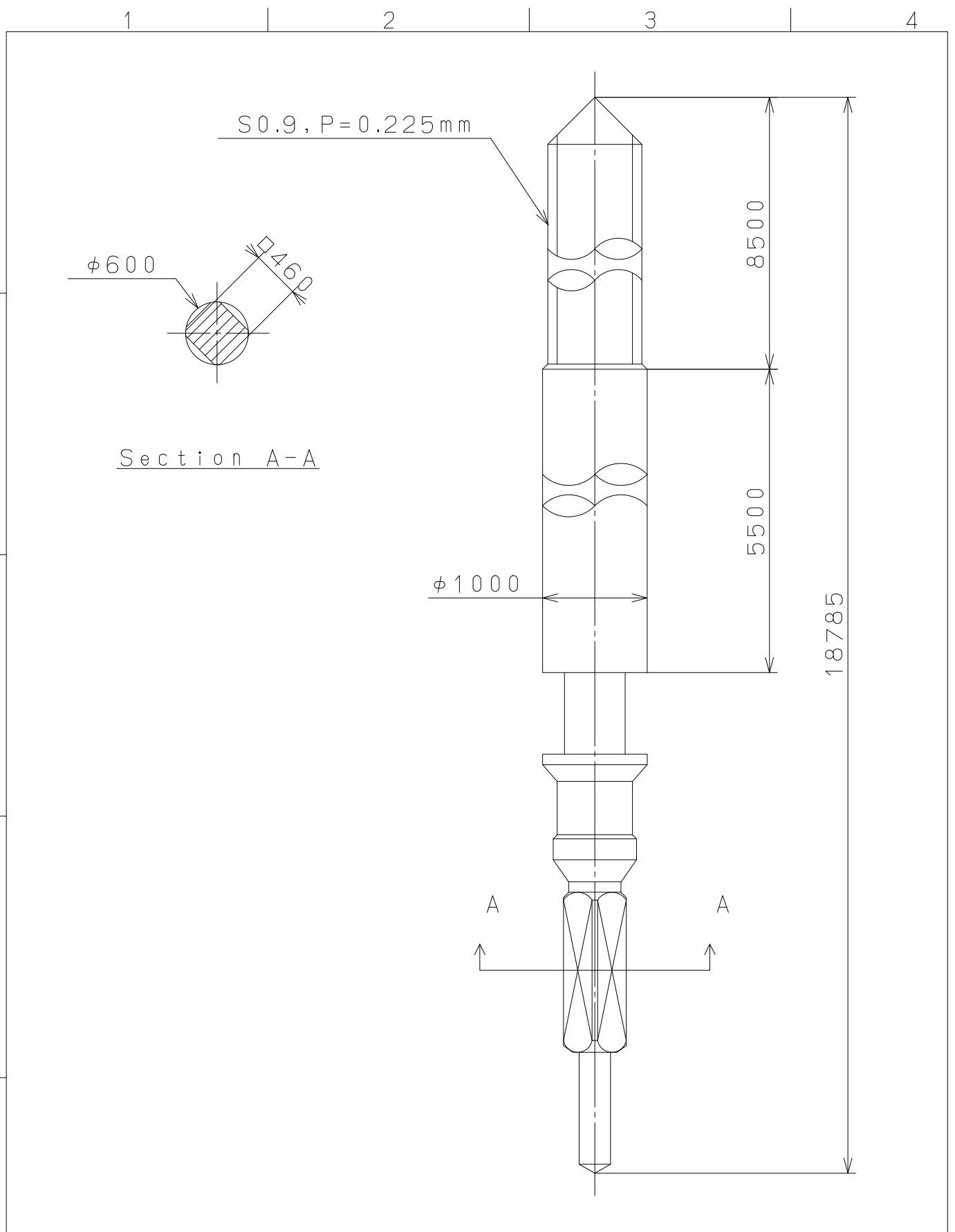
2006/03/29 (11:15:44)

This drawing is provisional and subject to our reconfirmation and/or revision without notice.



△				Quantity		Cal.NO.:
△				Unit	1/1000mm	OS62-00A
△				Scale		Parts No.:
△				Date		
△				Drawn		
Mark	Date	Description	Appro.	Checked	M. Fukuda	Name:
Alterations				Approved		Indications for Dial
Material						Drawing No.: OS62D0AS
Heat Treatment				General Tolerances	MIYOTA	
Hardness				Dimensions		
Plating				Angles		
						CITIZEN WATCH CO., LTD. TOKYO, JAPAN

This drawing is provisional and subject to our reconfirmation and/or revision without notice.



△5			Quantity		Cal.NO.:
△4			Unit	1 / 1000 mm	
△3			Scale	20 : 1	Parts No.:
△2			Date		065-453
△1			Drawn		
Mark	Date	Description	Appro.	Checked	E. Murakami
Alterations			Approved	Name: SETTING STEM	
Material					Drawing No.: 4530S000
Heat Treatment					MIYOTA
Hardness					
Plating					
			General Tolerances	CITIZEN WATCH CO., LTD. TOKYO, JAPAN	
			Dimensions		
			Angles		