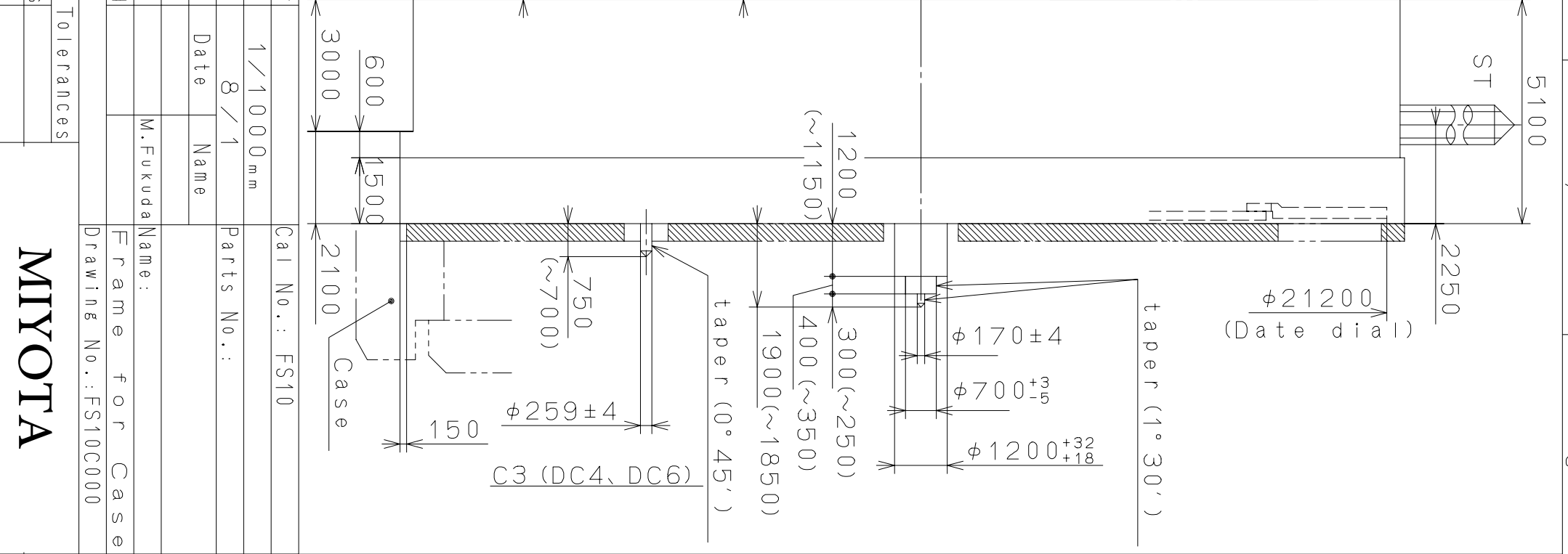
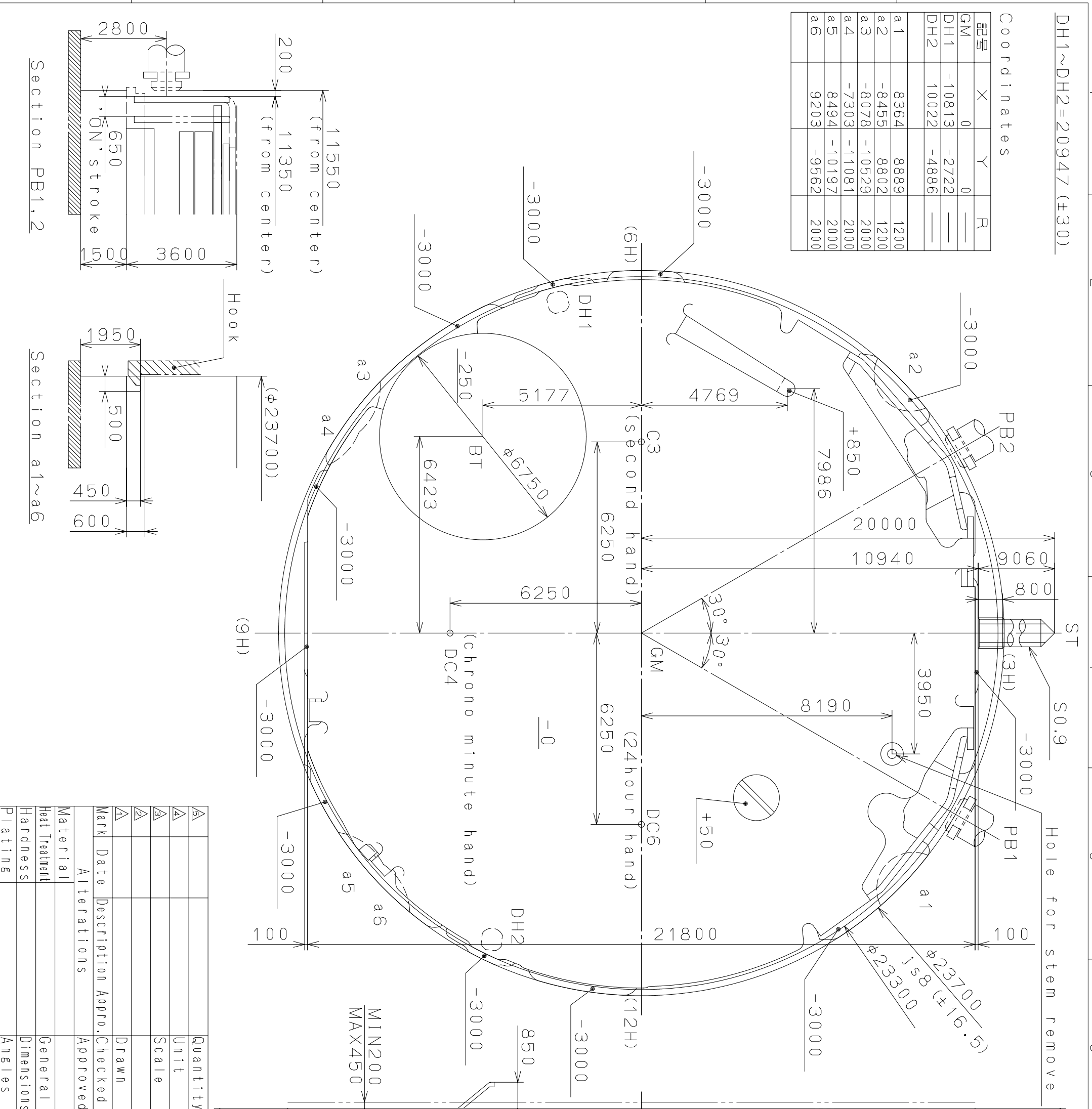


This drawing is provisional and subject to our reconfirmation and/or revision without notice.

Coordinates

記号	X	Y	R
GM	0	0	
DH1	-10813	-2722	
DH2	10022	-4886	
a1	8364	8889	1200
a2	-8455	8802	1200
a3	-8078	-10529	2000
a4	-7303	-11081	2000
a5	8494	-10197	2000
a6	9203	-9562	2000

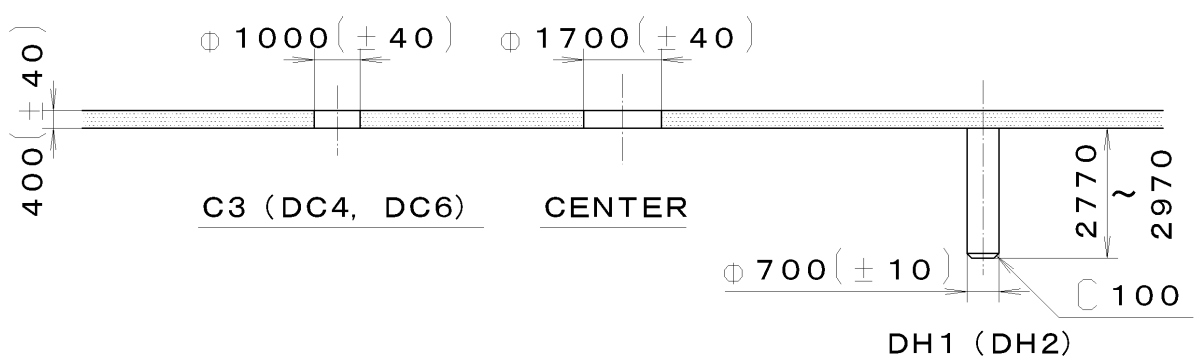
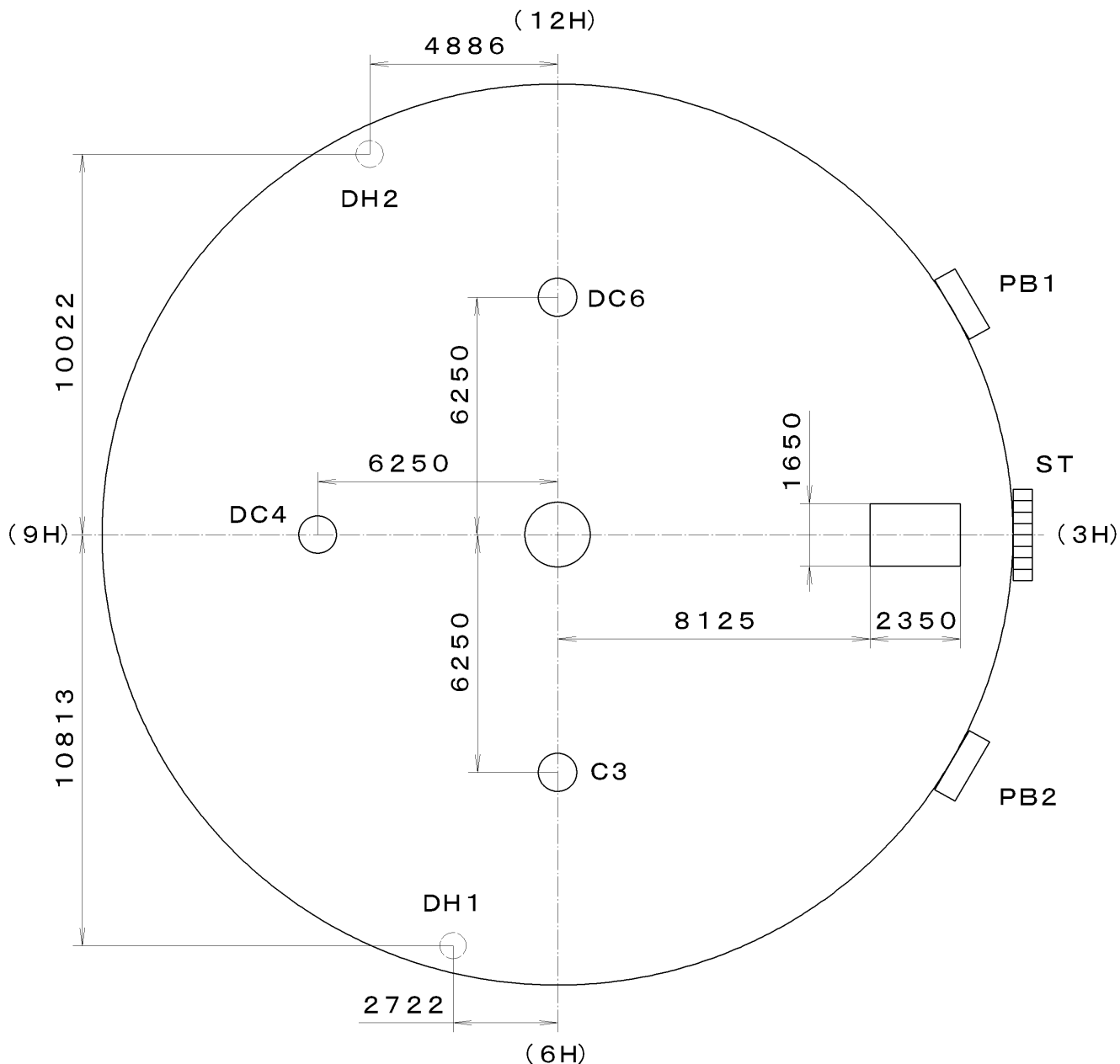


Quantity	Unit	1 / 1000 mm	Cal No.: FS10
Scale	8 / 1	Parts No.:	
Date	Name	M. Fukuda	Name:
Mark	Description	Approved	Frame for Case
Material	Alterations	Approved	Drawing No.: FS10C000
Heat Treatment			
Hardness			
Plating			

MIYOTA

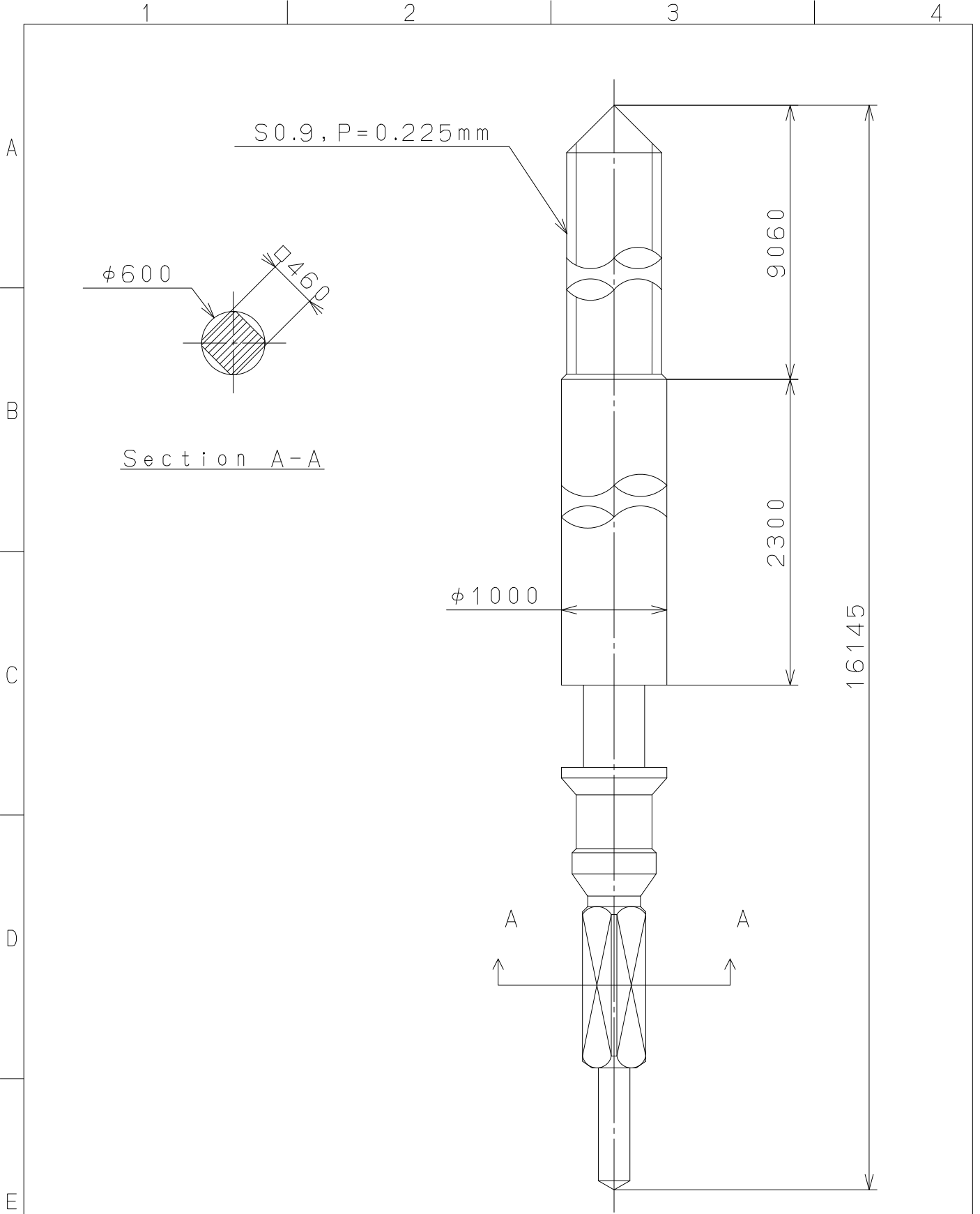
This drawing is provisional and subject to our reconfirmation and/or revision without notice.

*** T I P W *** (01) *** (2100 1121) 03-02-14 30.0



7		Quantity		Cal. No. :	FS10-00A
6		Unit	1/1000 mm	Parts:	
5		Scale	6:1	Name:	Indications for Dial
4		Date		Drawing No. :	FS10D000
3		Drawn		MIYOTA	
2		Checked	M. Fukuda		
1		Approved			
Material		General Tolerances			
Heat Treatment		Dimensions			
Hardness		Angles			
Plating					

This drawing is provisional and subject to our reconfirmation and/or revision without notice.



△5			Quantity		Cal.NO.:
△4			Unit	1 / 1000 mm	
△3			Scale	20 : 1	Parts No.:
△2			Date		065-549
△1			Drawn		
Mark	Date	Description	Appro.	Checked	M. Kobayashi
Alterations			Approved	Name: SETTING STEM	
Material					Drawing No.: 5490S000
Heat Treatment	General Tolerances				MIYOTA
Hardness	Dimensions				
Plating	Angles				
					CITIZEN WATCH CO., LTD. TOKYO, JAPAN